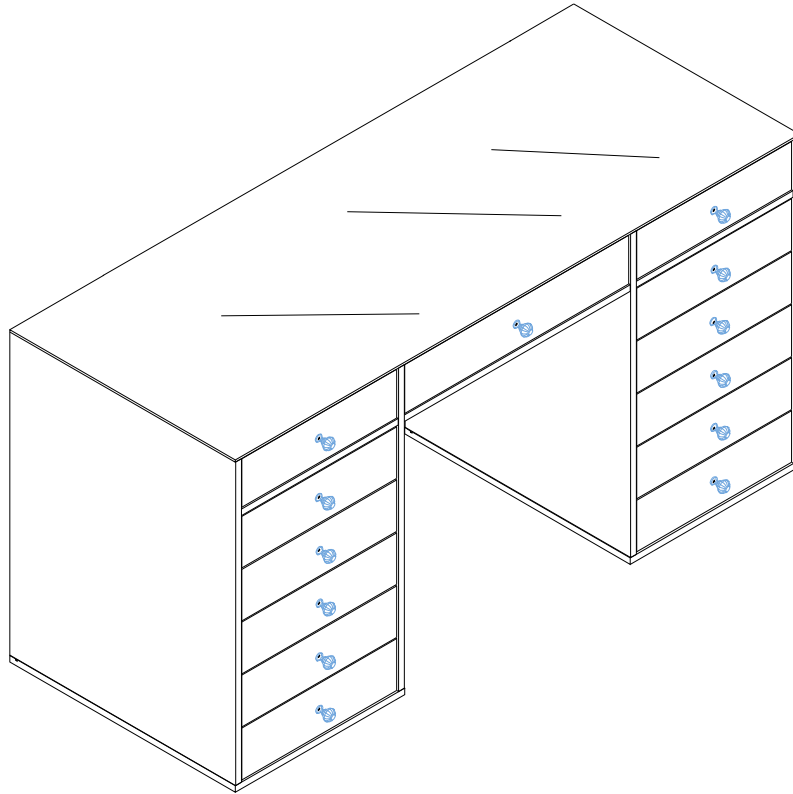


ADELINE

LUXO|Furniture

Glass Top Storage Makeup Dressing Table Desk



Assembly requires at least 2 people



Additional tools you may need

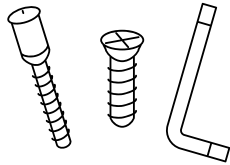
You may use an electric screwdriver for assembly. Do not use a drill. Using a drill may void warranty claims on damages.



THANK YOU FOR YOUR PURCHASE!

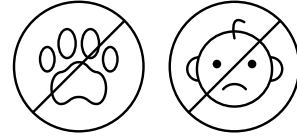
We hope you enjoy this product as much as we enjoyed making it!

We suggest you spend **5 minutes** in reading these tips before assembling the unit. Strictly follow the instructions step by step.



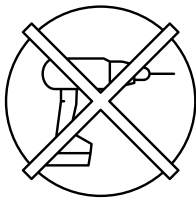
Tool Check

Check contents to ensure that you have the specified quantity for all identified parts and metal fittings.



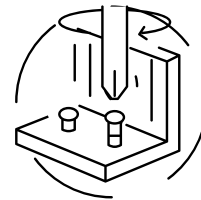
Safety Check

Keep children and pets away from working area as unit has small parts that are choking hazards if swallowed.



Do Not Use a Drill

Do not use a drill for assembly as it may damage the unit and make it unsafe to use. This will also invalidate any claim on damages.



Easier Assembly Tip

We strongly advise that all fittings be finger-tightened during the initial assembly phase. You may fully tighten them all once assembly is complete.

HARDWARE LIST

Please check if you have all the fittings and tools listed below.

(A)



DOWEL SET
106 pcs

(B)



WOOD DOWEL
20 pcs

(C)



14*3.5mm
WOOD SCREW
166 pcs

(D)



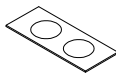
35*3.5mm
WOOD SCREW
52 pcs

(E)



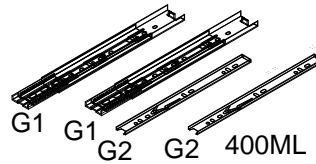
HANDLE SCREWS
13 pcs

(F)



CRASH PADS
4 pcs

(G)



SLIDE
10 sets

(H)



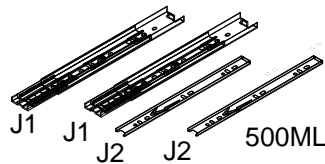
HANDLE
13 pcs

(I)

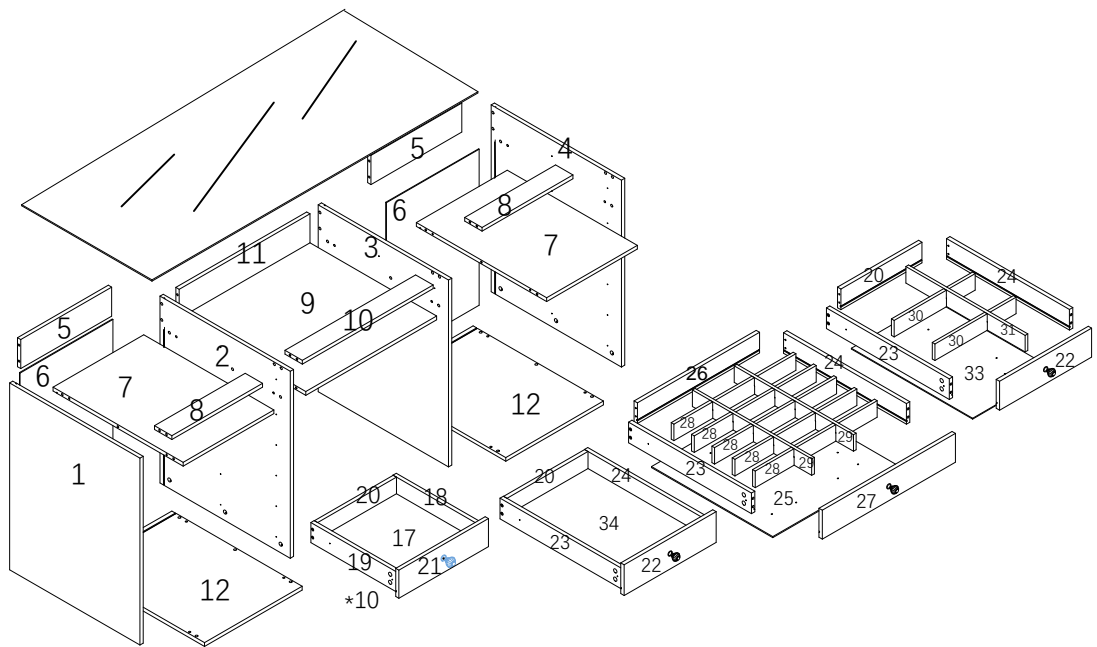


FOOT NAIL
8 pcs

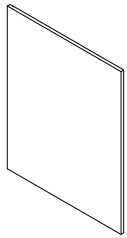
(J)



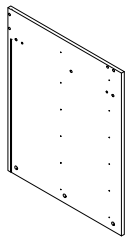
SLIDE
3 sets



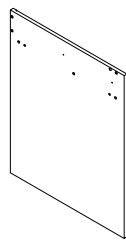
PARTS LIST



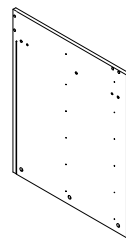
1 x1



2 x1



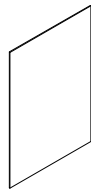
3 x1



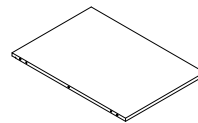
4 x1



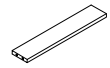
5 x2



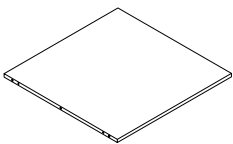
6 x2



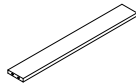
7 x2



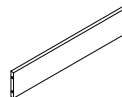
8 x2



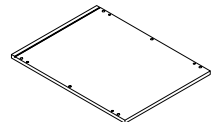
9 x1



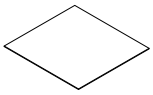
10 x1



11 x1



12 x2



17 x10



18 x10



19 x10



20 x12



21 x10



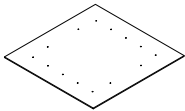
22 x2



23 x3



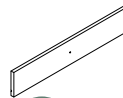
24 x3



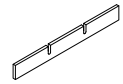
25 x1



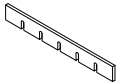
26 x1



27 x1



28 x5



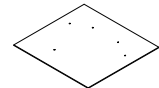
29 x2



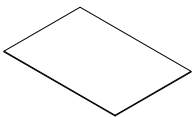
30 x2



31 x1

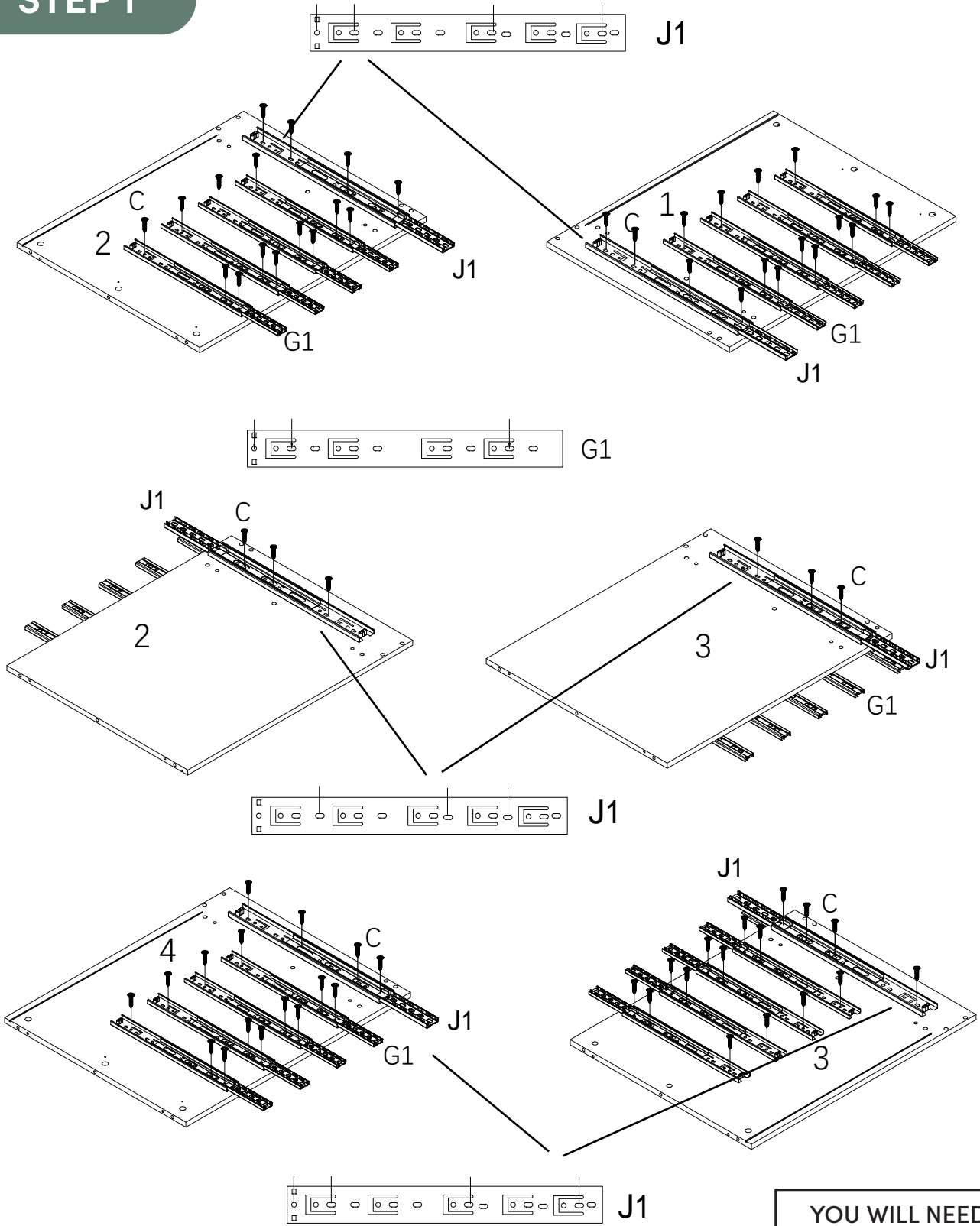




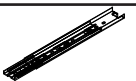
33 x1



34 x1

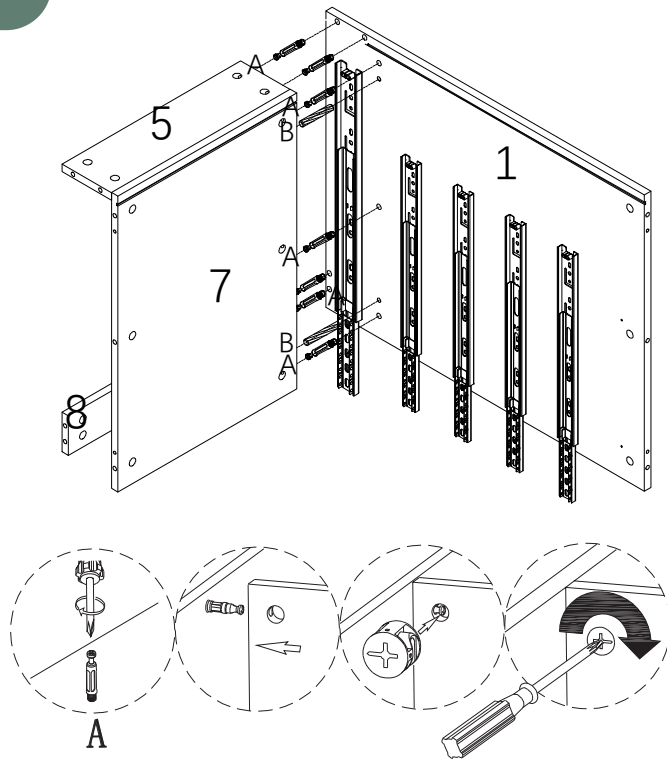
STEP 1





YOU WILL NEED		
G1		x16
C		x72
J1		x6

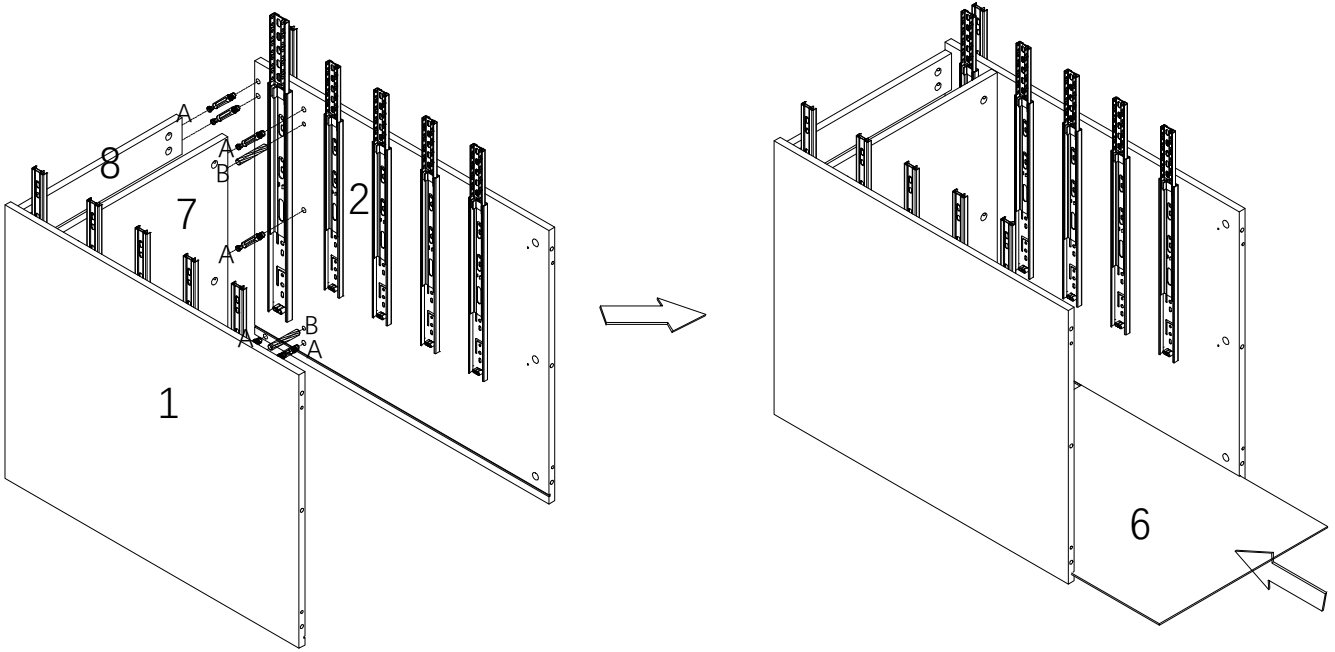
ASSEMBLY STEPS



STEP 2



YOU WILL NEED		
A		x7
B		x2

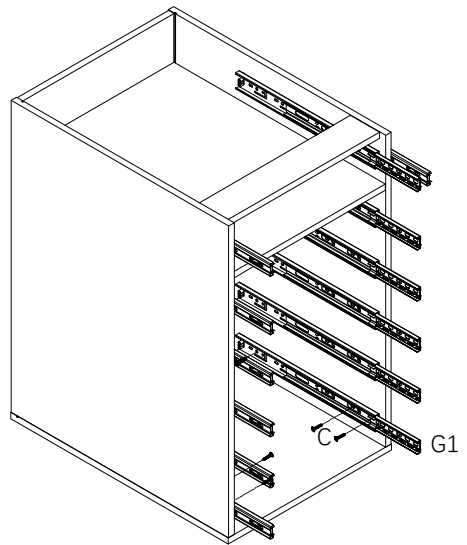
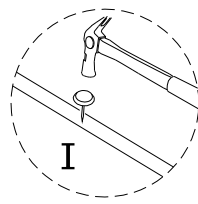
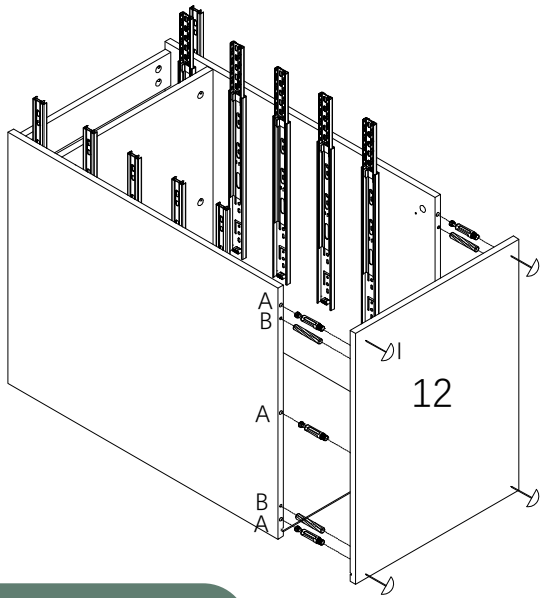
STEP 3



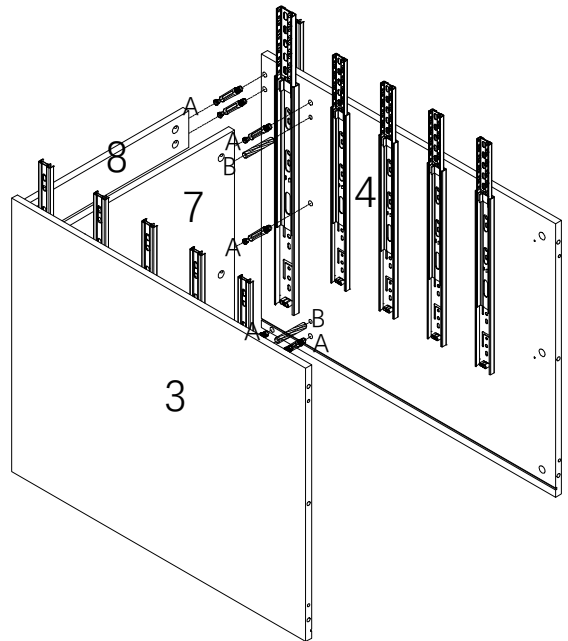
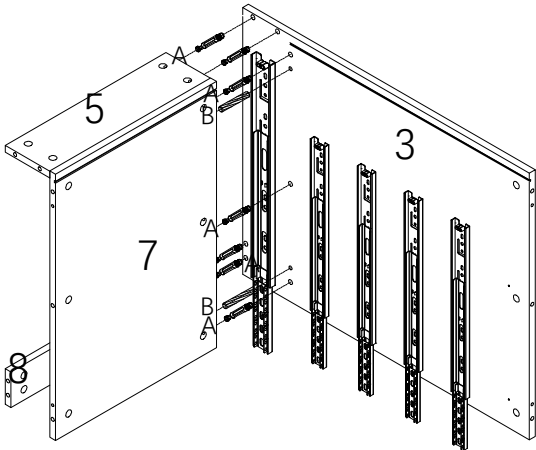
YOU WILL NEED		
A		x7
B		x2

ASSEMBLY STEPS

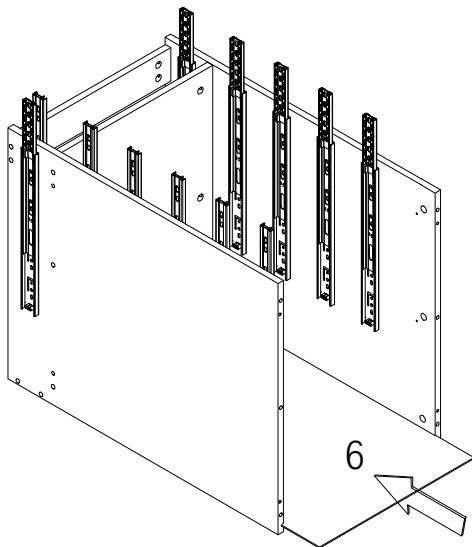
STEP 4



STEP 5



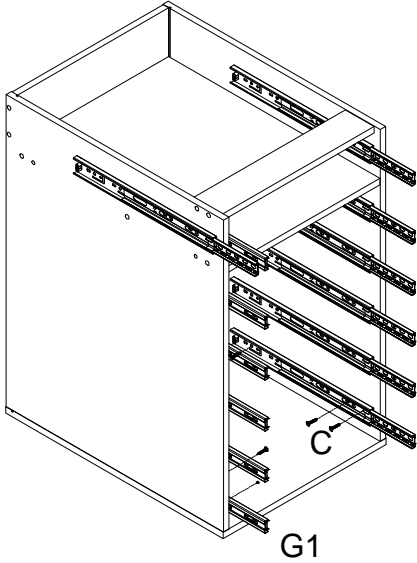
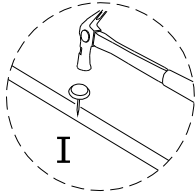
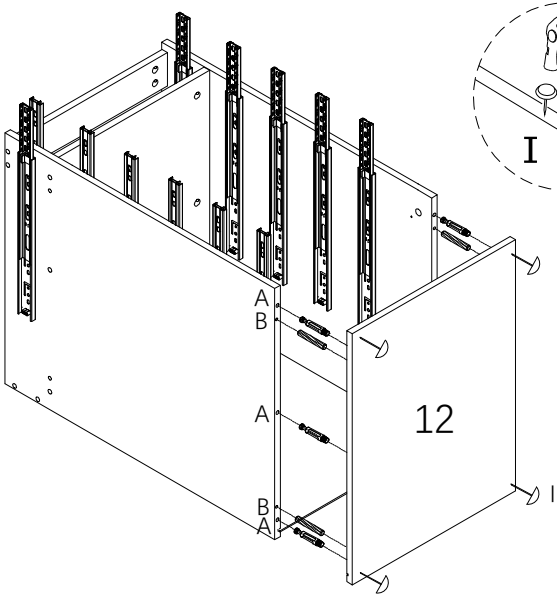
STEP 6



YOU WILL NEED		
A		x20
B		x8
C		x6
G1		x2
I		x4

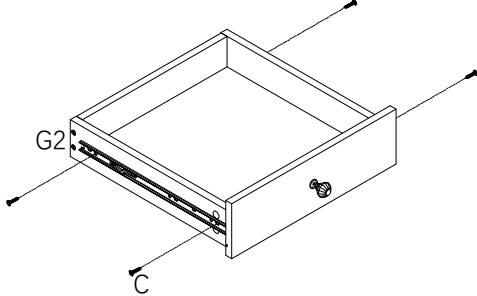
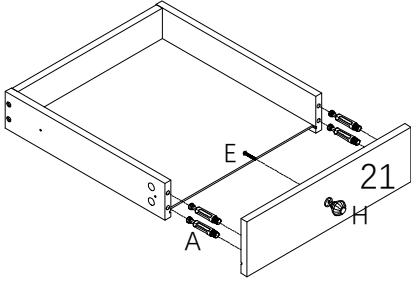
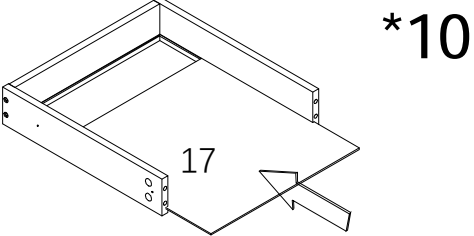
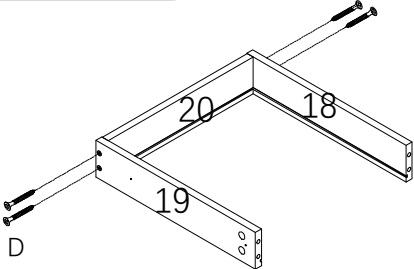
ASSEMBLY STEPS

STEP 7



YOU WILL NEED		
A		x6
B		x4
C		x6
G1		x2
I		x4

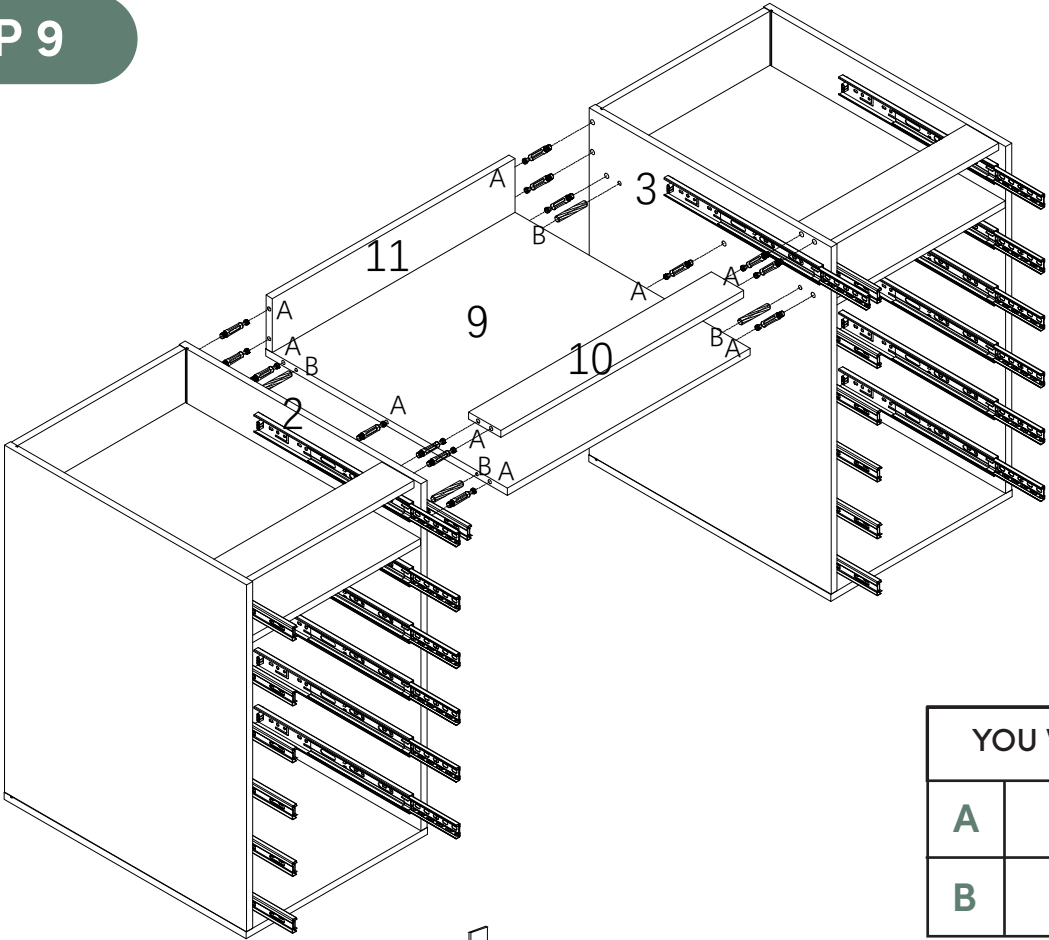
STEP 8





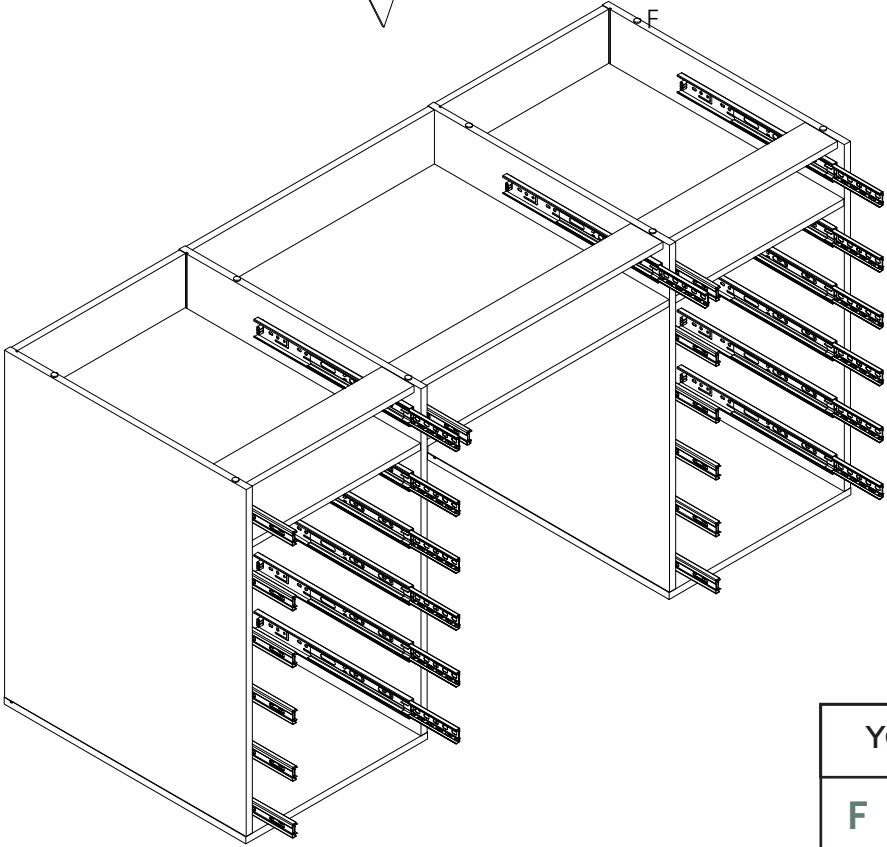
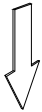
YOU WILL NEED		
A		x40
C		x40
D		x40
G2		x20
E		x10
H		x10

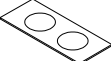
ASSEMBLY STEPS

STEP 9

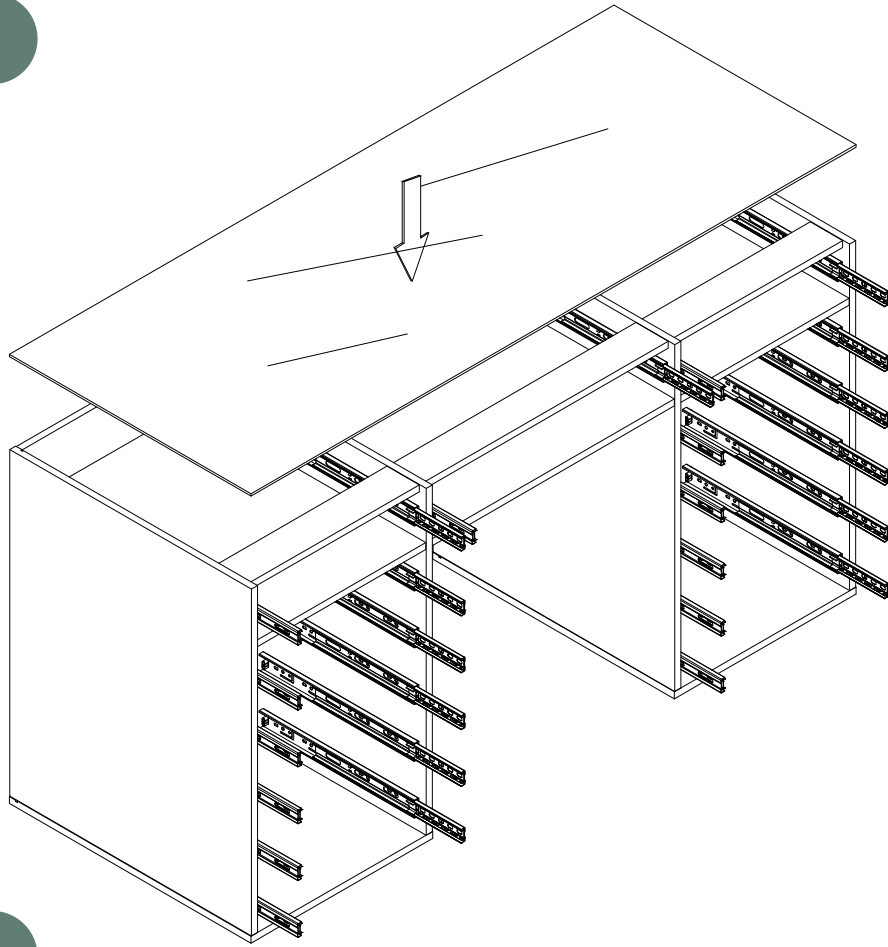


YOU WILL NEED		
A		x14
B		x4

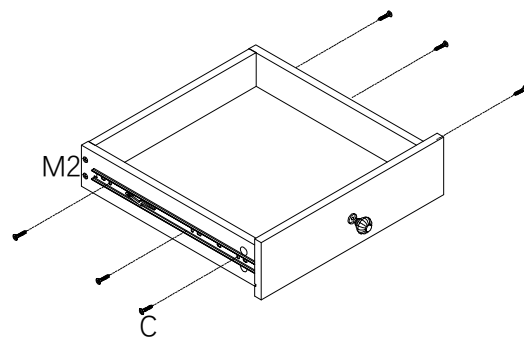
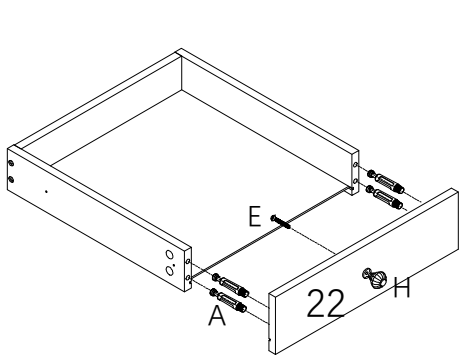
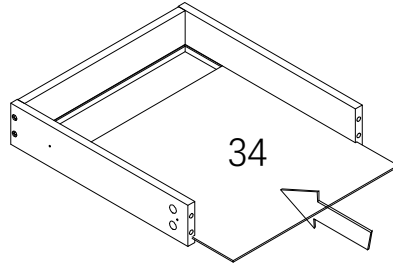
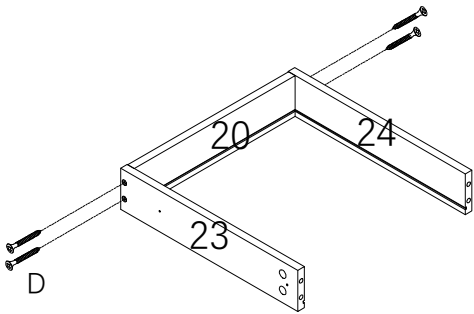


YOU WILL NEED		
F		x4

STEP 10



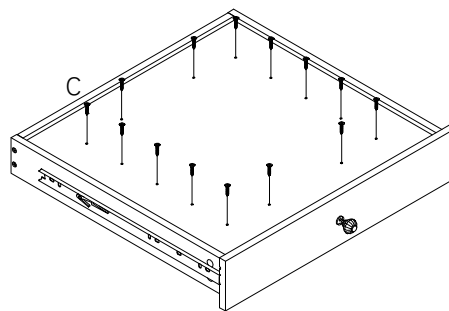
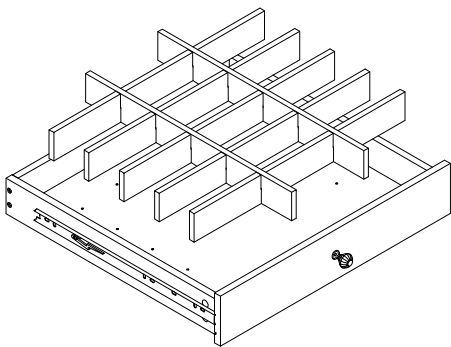
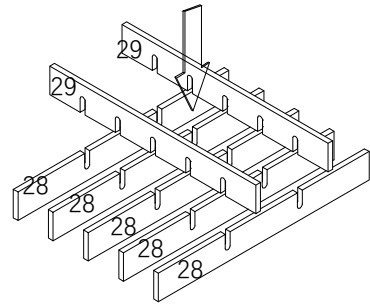
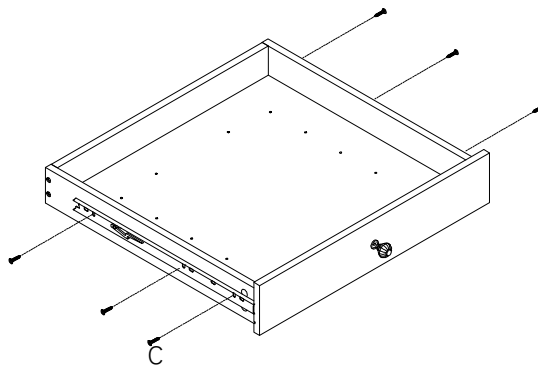
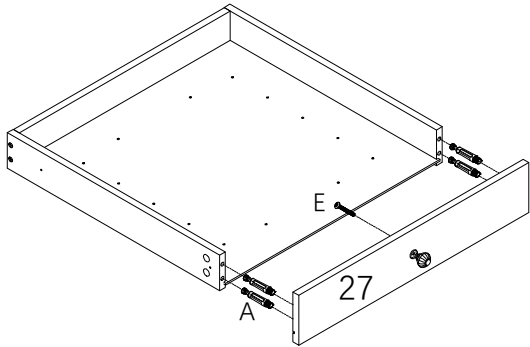
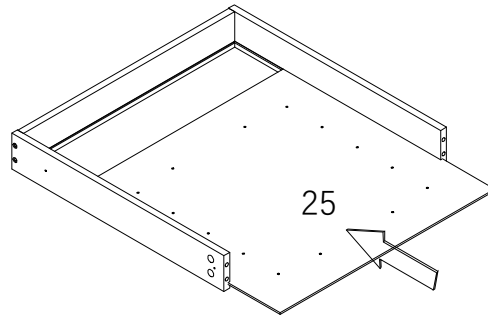
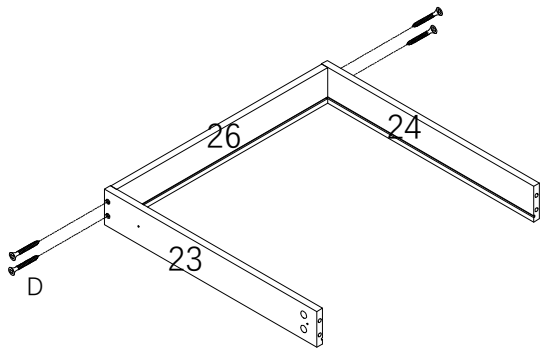
STEP 11




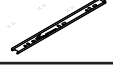




YOU WILL NEED		
A		x4
C		x6
D		x4
J2		x2
E		x1
H		x1

ASSEMBLY STEPS

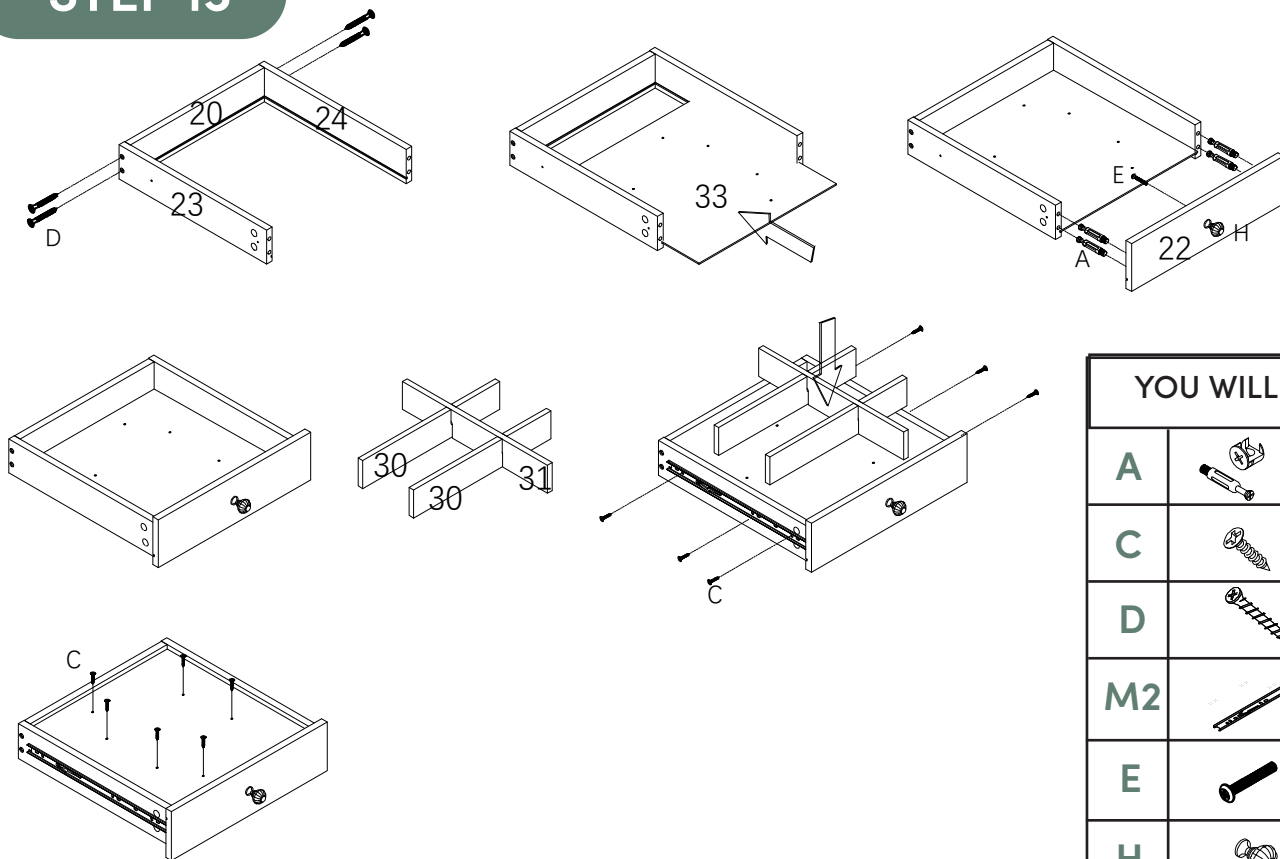
STEP 12









YOU WILL NEED		
A		x4
C		x20
D		x4
J2		x2
E		x1
H		x1

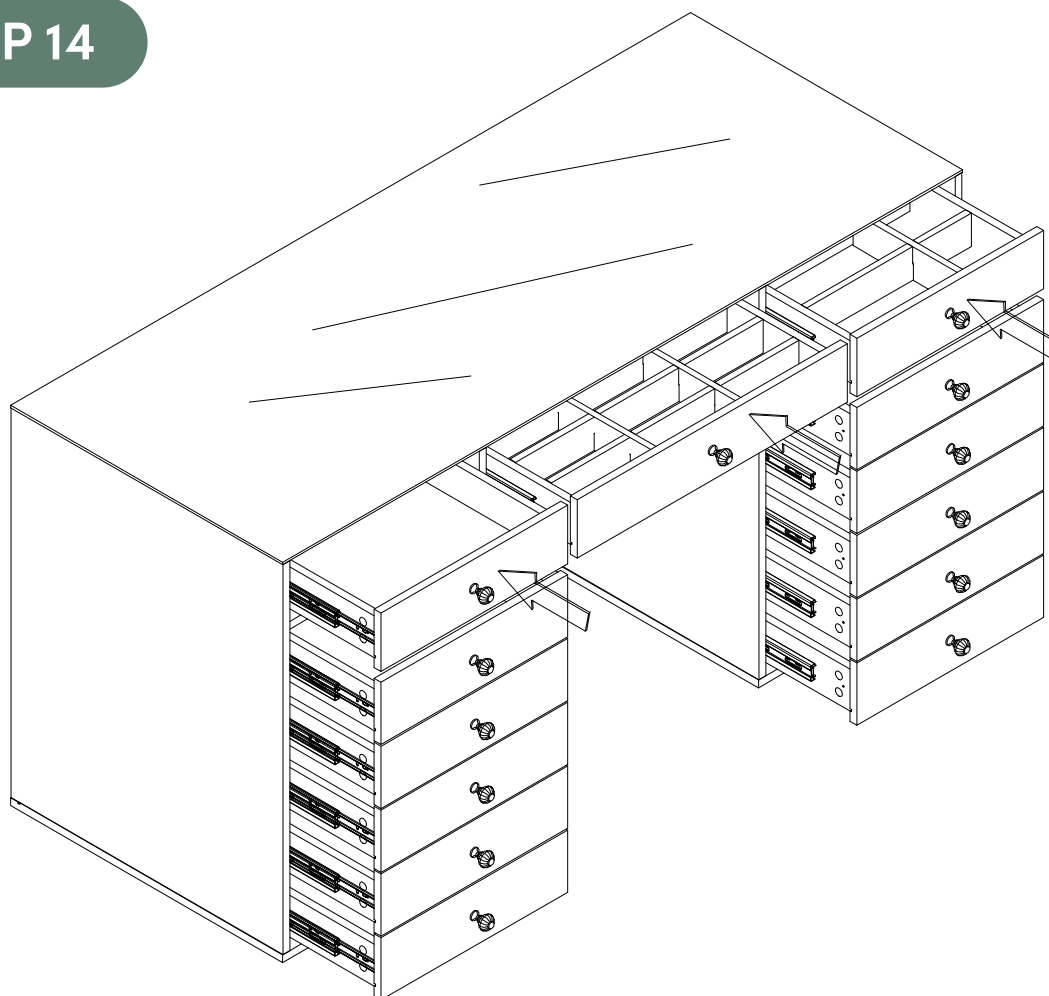
ASSEMBLY STEPS

STEP 13



YOU WILL NEED		
A		x4
C		x12
D		x4
M2		x2
E		x1
H		x1

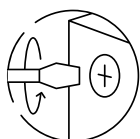
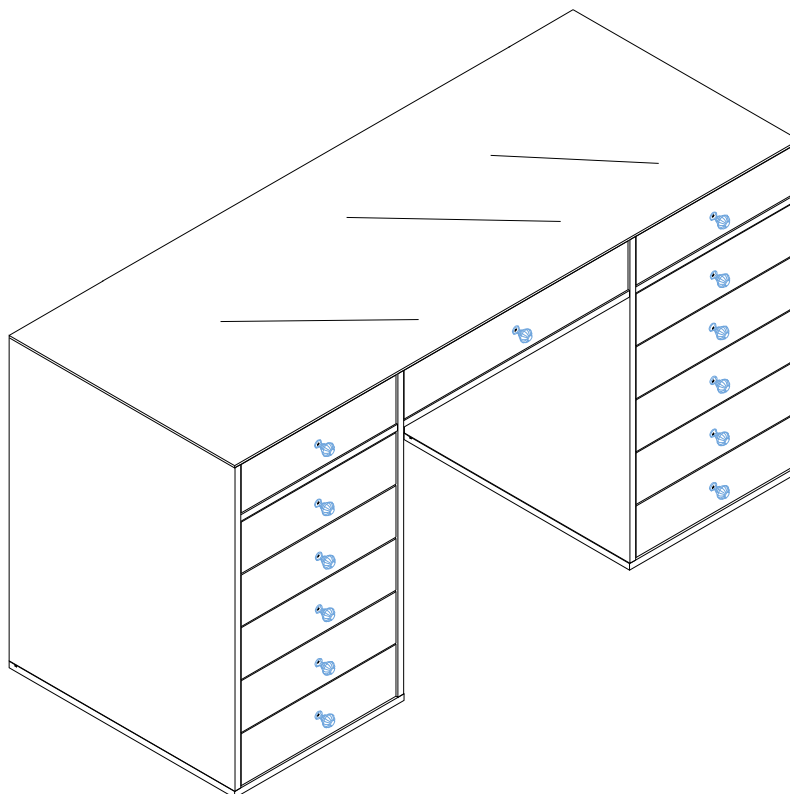
STEP 14



ASSEMBLY STEPS

GREAT JOB. YOU'RE DONE!

To move the assembled unit, please lift it up and do not drag to avoid damaging the middle part.



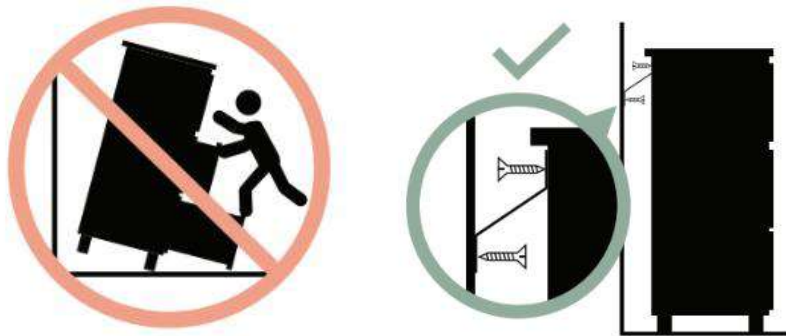
When you assemble this dressing table, please make sure all screws are fastened tightly. After one or two months, please recheck and make sure all screws are still tight.



The top of this dressing table can hold up to 20kg.
Each drawer can hold up to 10kg.

WARNING

Children have died from toppling furniture – toppling furniture can cause serious injuries and death.



- **ALWAYS** secure this furniture with an anchor device
- **NEVER** allow children to stand, climb or hang on drawers, doors or shelves.
- **NEVER** open more than one drawer at a time.
- **NEVER** place a television on this furniture
- Place heavy items down low.

To prevent your furniture from tipping forward, it is strongly recommended that you securely attach this product to a wall or another solid surface, using an anchoring device and appropriate fixings.

IMPORTANT:

- Regularly check that anchors are securely maintained.
- We recommend that you use safety drawer locks (not supplied) to prevent children climbing.
- Check whether the stability of tall items may be affected by thick pile carpet or uneven floors.
- Walls are constructed from different materials, for example, masonry (solid brick) or plasterboard lined cavity walls (hollow). It is important that you use the appropriate wall fixings for your wall type. Ensure to seek professional advice if you are unsure.

CARE INSTRUCTION

Follow these basic steps to protect your furniture.

Clean Gently

Use a mild wood cleaner or a mixture of water and mild dish soap to clean spills. Wipe the surface gently with a damp cloth, then dry it thoroughly.

Temperature and Humidity

Avoid direct sunlight. Maintain a consistent room temperature and humidity level to prevent wood from warping or cracking.

Use Furniture Pads

Place furniture pads or felt protectors under furniture legs to prevent scratches on floors.

Avoid Excessive Weight

Don't overload drawers or surfaces beyond their weight capacity.

***Again, we thank you for your purchase.
You've made our day, and we hope you have a great one too!
Enjoy our product!***

For any questions, please call us at 02 8999 1114 or contact our online customer service team through our website.

LUXO|Furniture