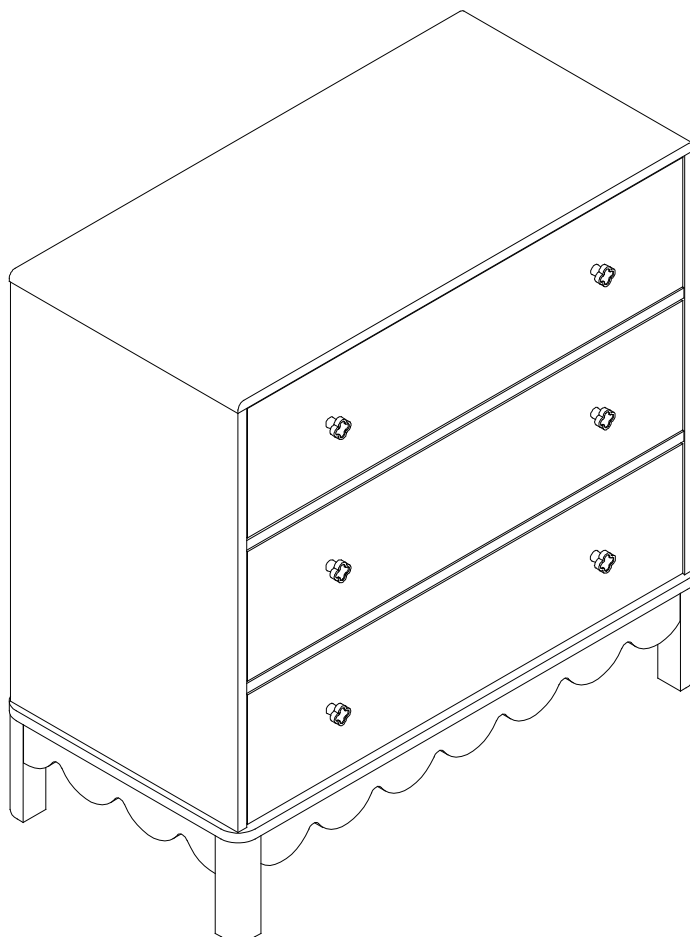


COLBY

LUXO|Furniture

Scalloped Chest of Drawers



Assembly requires at least 2 people



Extra tools you may need

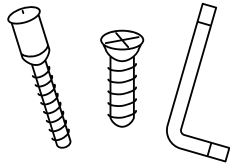
For quicker assembly, we recommend the use of a power drill on a low-speed setting.



THANK YOU FOR YOUR PURCHASE!

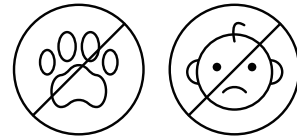
We hope you enjoy this product as much as we enjoyed making it!

We suggest you spend **5 minutes** in reading these tips before assembling the unit. Strictly follow the instructions step by step.



Tool Check

Check contents to ensure that you have the specified quantity for all identified parts and metal fittings.



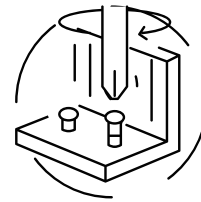
Safety Check

Keep children and pets away from working area as unit has small parts that are choking hazards if swallowed.



Use of Power Tool

We recommend the use of a power drill on a low-speed setting for quick assembly.



Easier Assembly Tip

We strongly advise that all fittings be finger-tightened during the initial assembly phase. You may fully tighten them all once assembly is complete.

HARDWARE LIST

Please check if you have all the fittings and tools listed below.

A



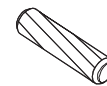
φ6*40mm CAM LOCK SCREW
50 PCS

B



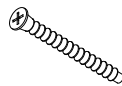
M15*11mm CAM LOCK NUT
50 PCS

C



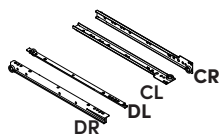
φ8*40mm WOOD DOWEL
20 PCS

D



φ7*70mm SCREW
4 PCS

E



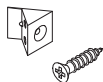
350mm SLIDE RAIL
3 PCS

F



φ3.5*14mm SCREW
24 PCS

G



SCREW & CLIP
16 PCS

H



DRAWER KNOB
6 PCS

J

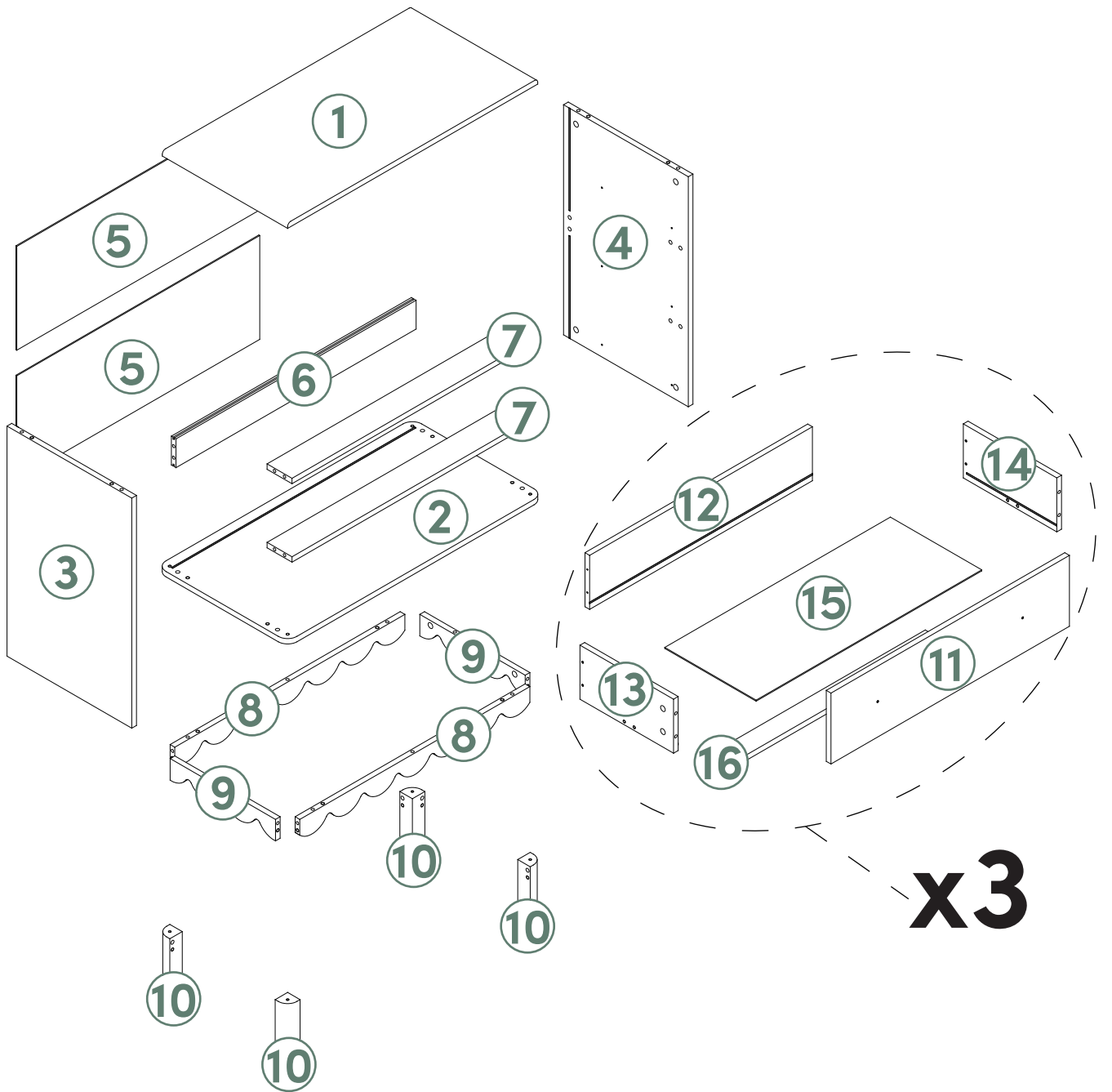


φ4*18mm SCREW
12 PCS

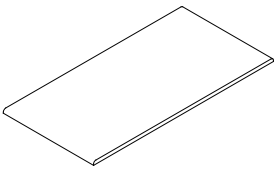
K



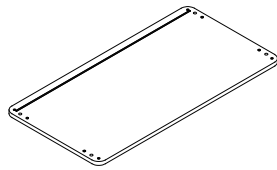
φ3.5*35mm SCREW
24 PCS



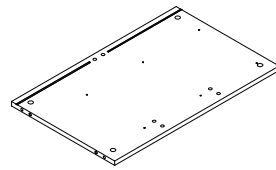
PARTS LIST



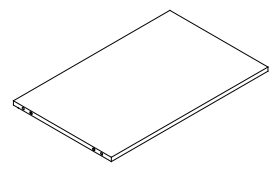
1 x1



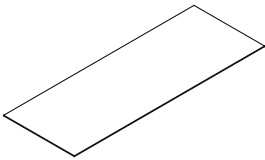
2 x1



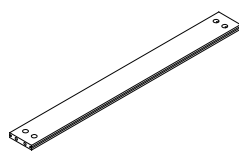
3 x1



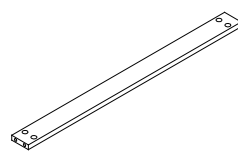
4 x1



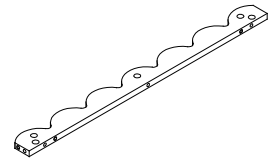
5 x2



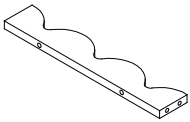
6 x1



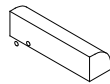
7 x2



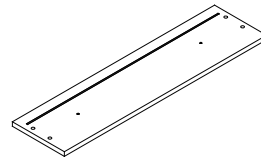
8 x2



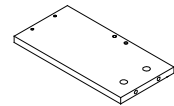
9 x2



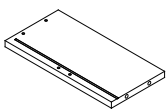
10 x4



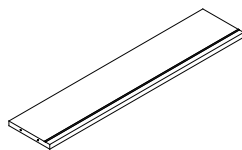
11 x3



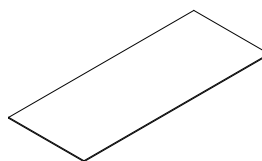
12 x3



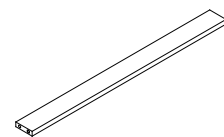
13 x3



14 x3

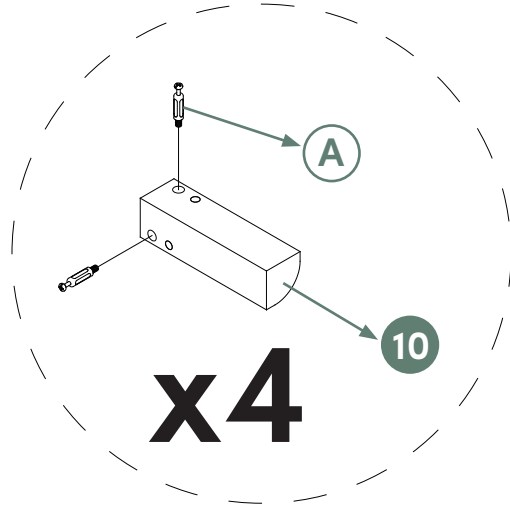
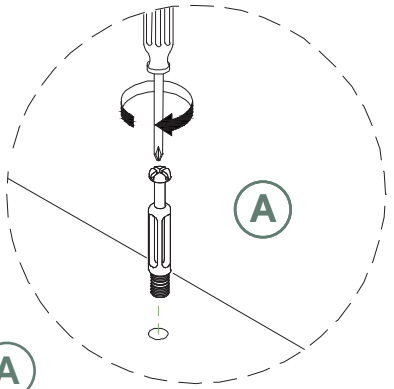
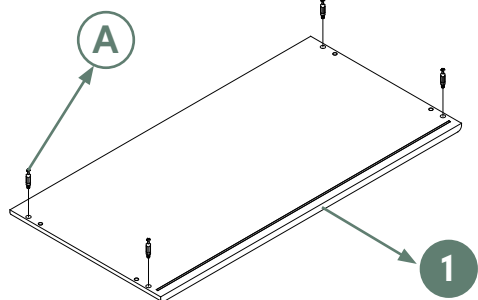
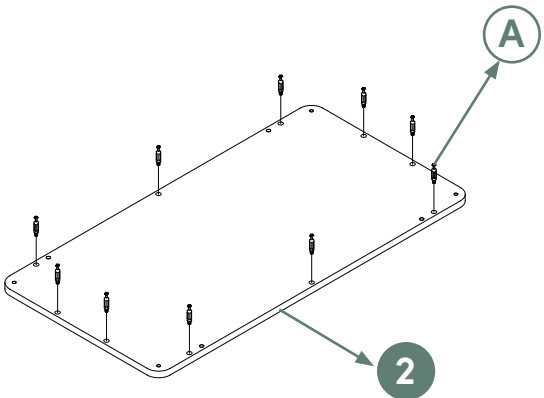
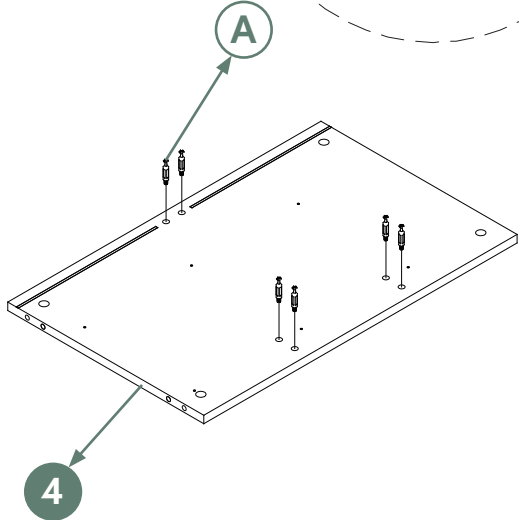
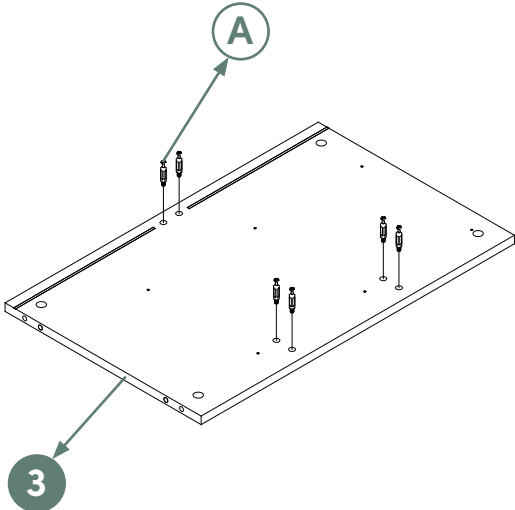



15 x3



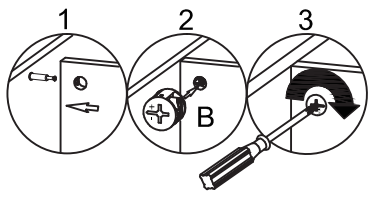
16 x1

STEP 1

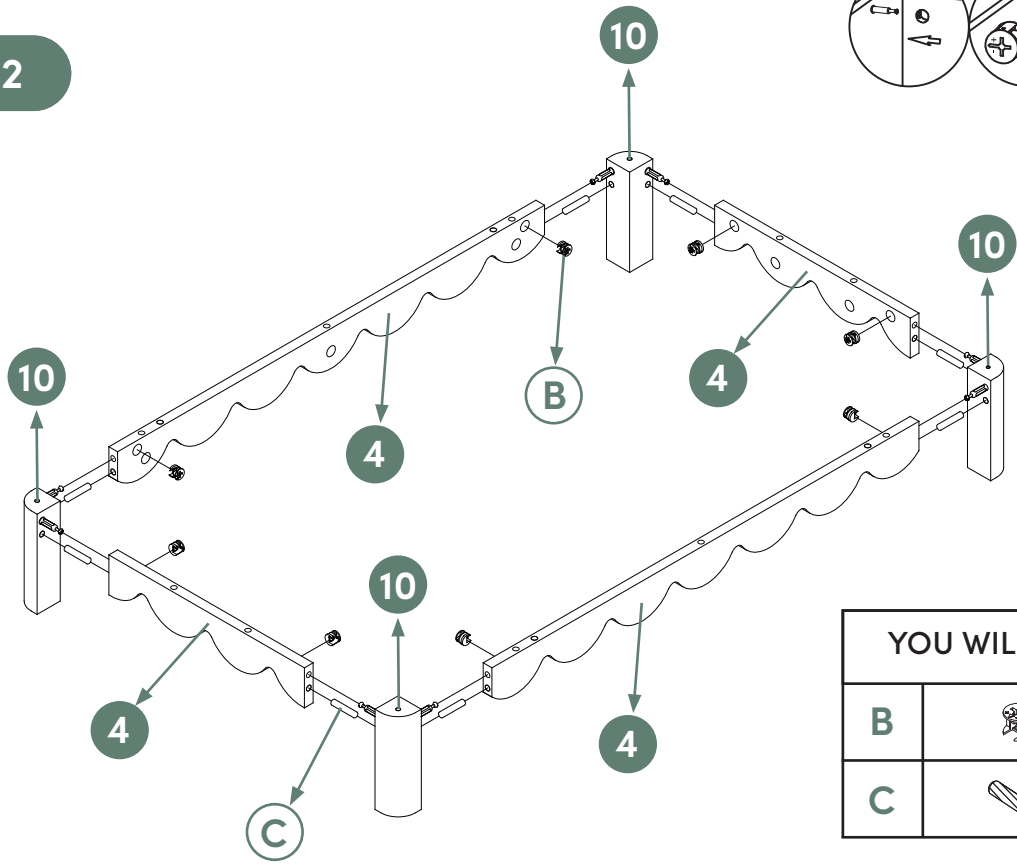




YOU WILL NEED	
A	 x34

ASSEMBLY STEPS

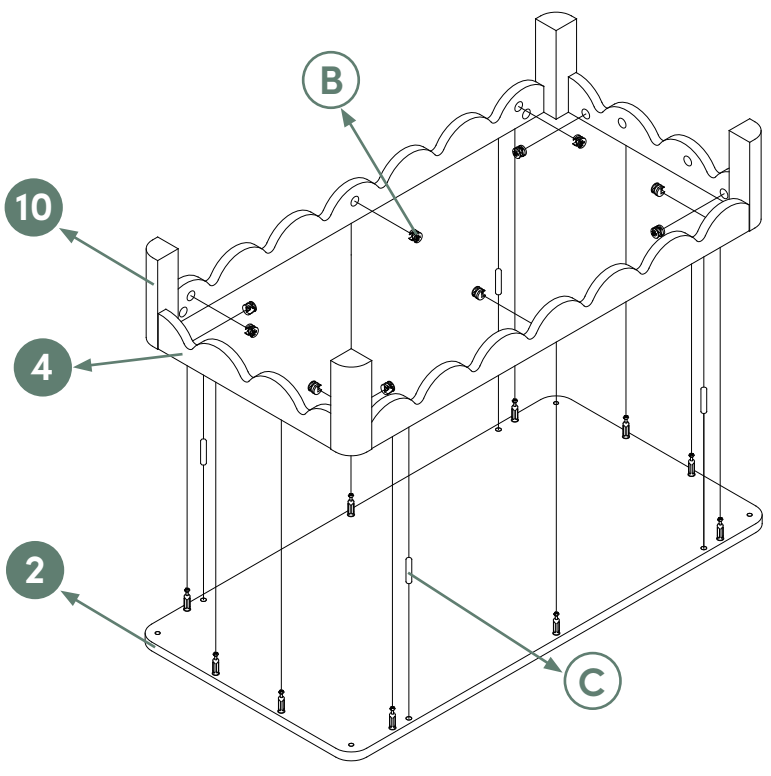
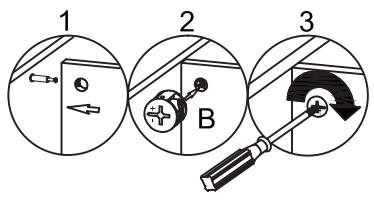




STEP 2



YOU WILL NEED		
B		x8
C		x8

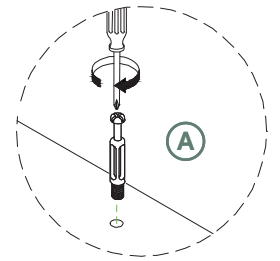
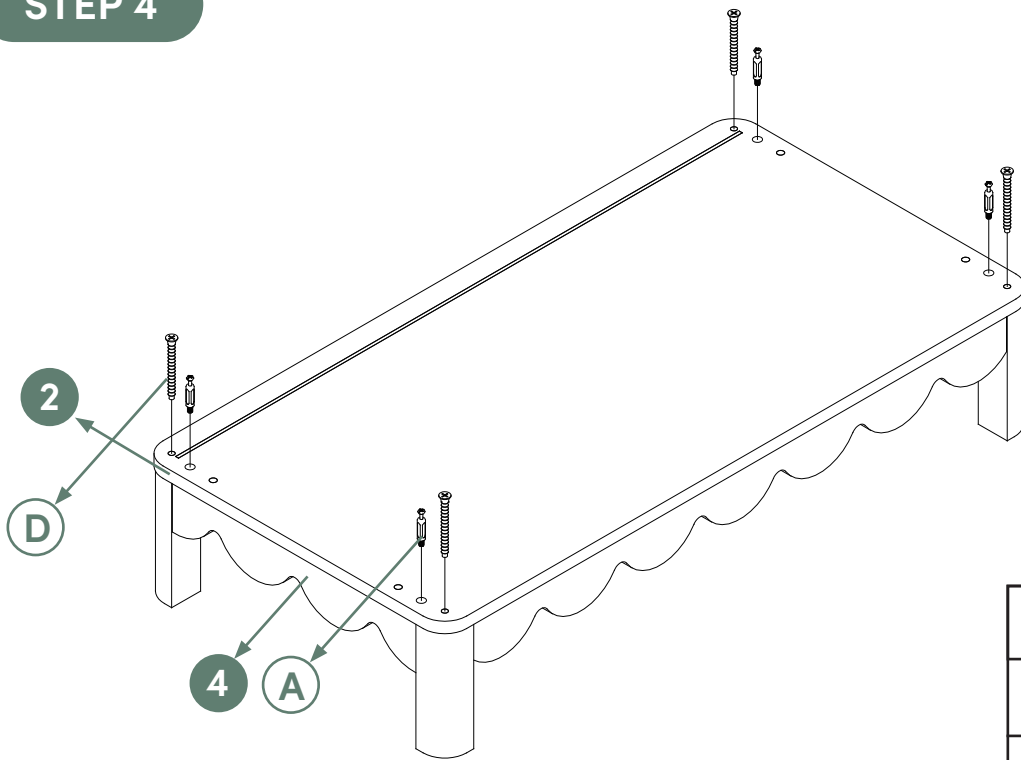
STEP 3





YOU WILL NEED		
B		x10
C		x4

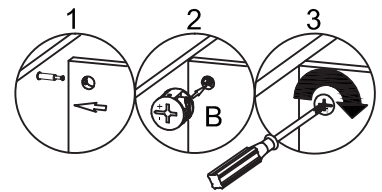
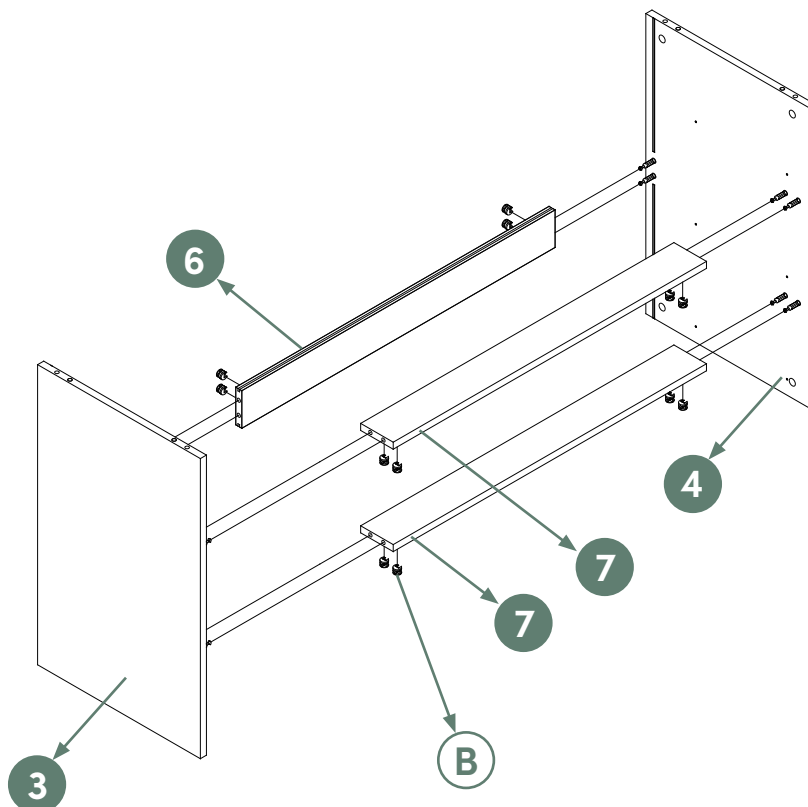
ASSEMBLY STEPS


STEP 4



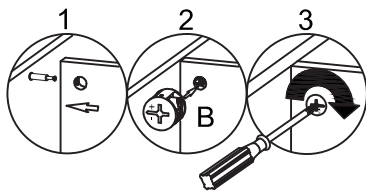
YOU WILL NEED		
A		x4
D		x4

STEP 5

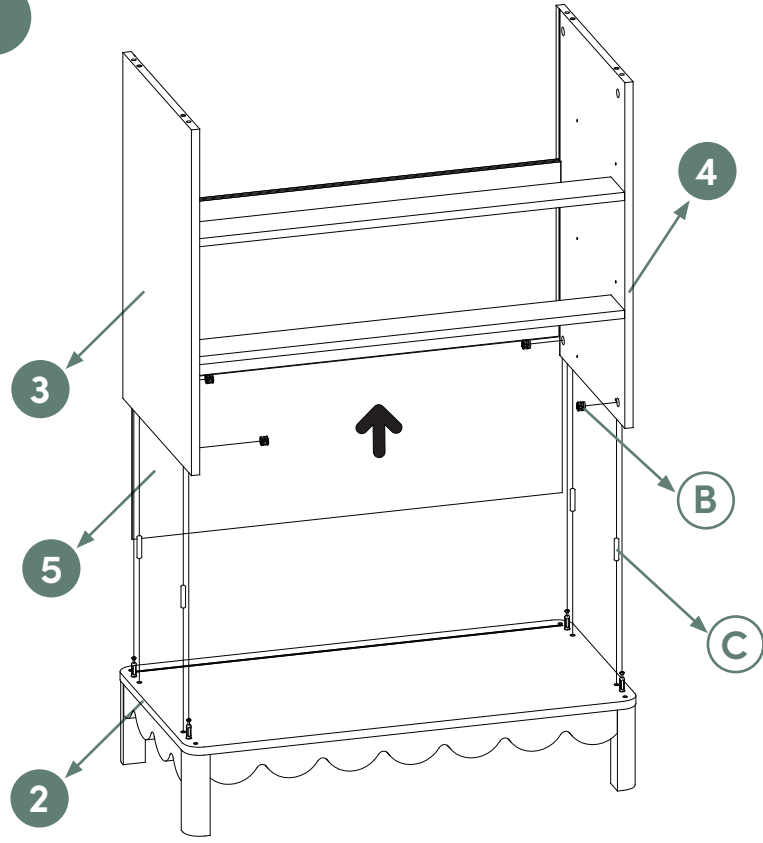




YOU WILL NEED		
B		x12

ASSEMBLY STEPS

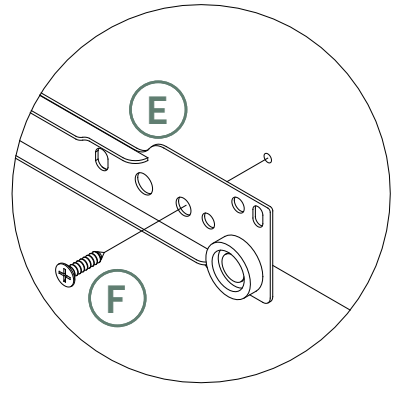
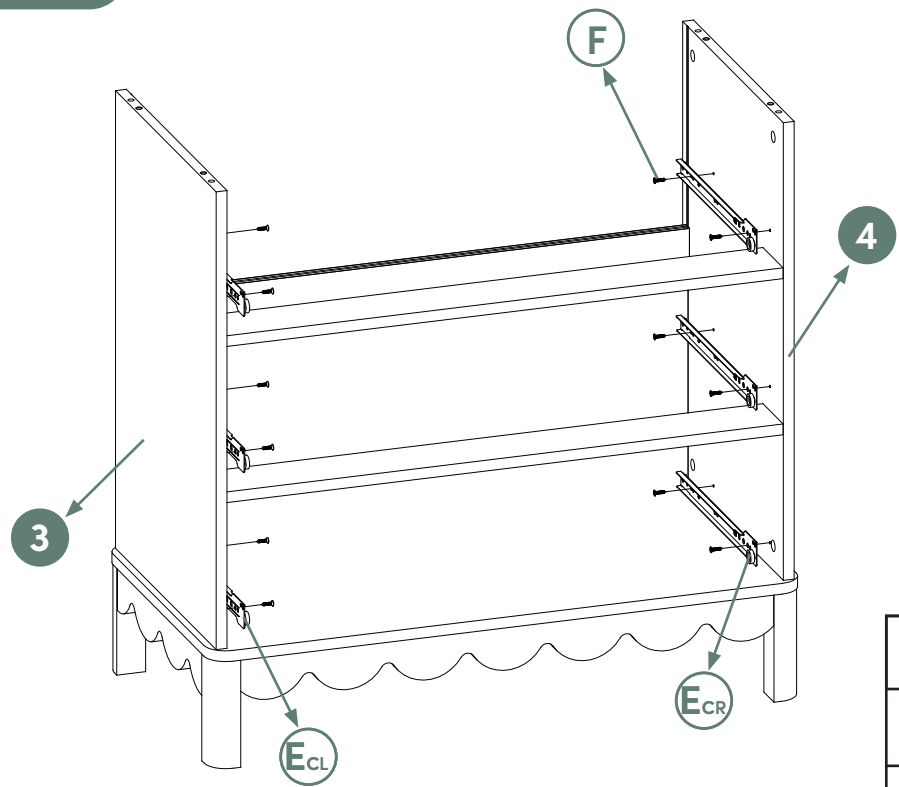




STEP 6



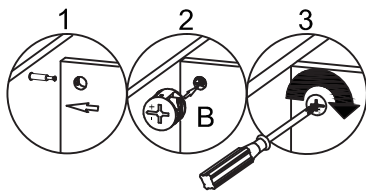
YOU WILL NEED		
B		x4
C		x4

STEP 7

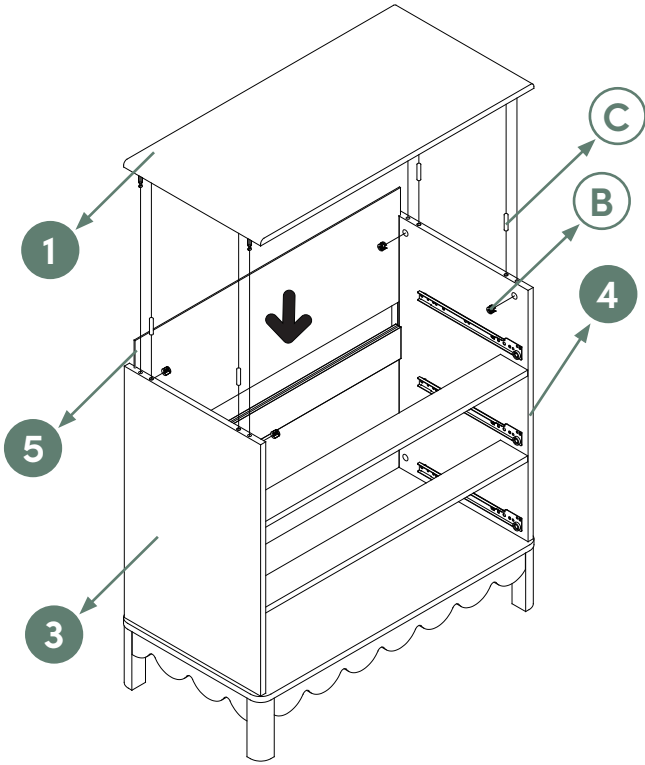




YOU WILL NEED		
F		x12
E		x3

ASSEMBLY STEPS

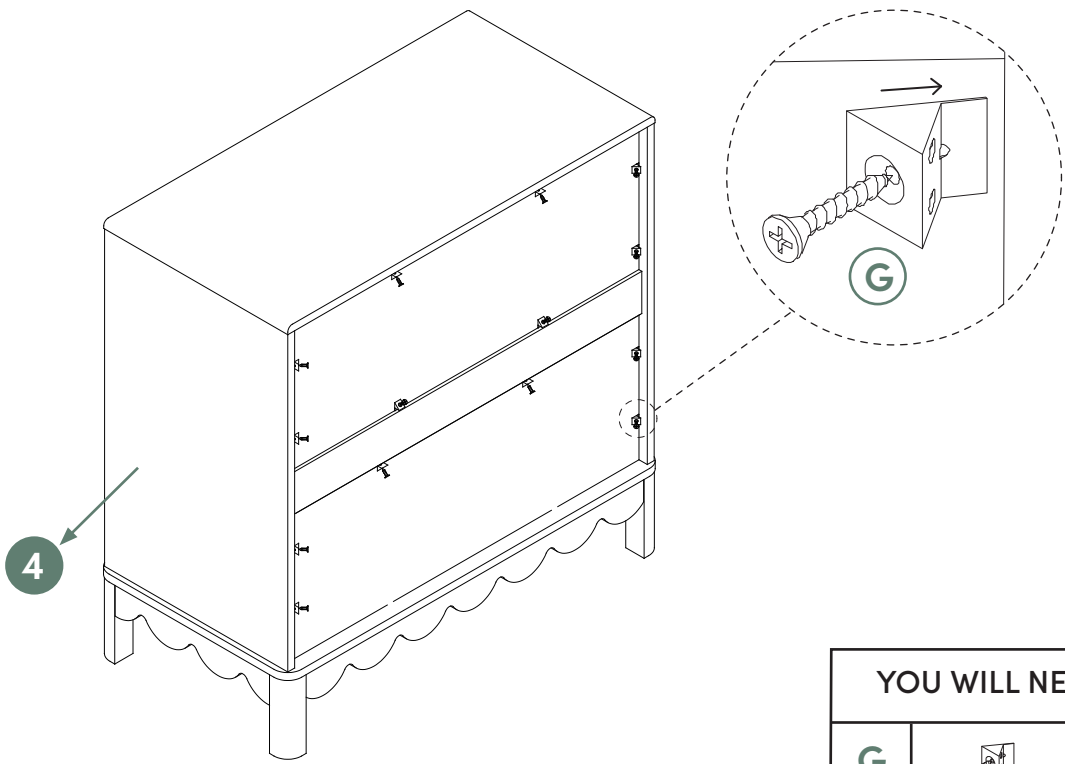



STEP 8



YOU WILL NEED		
B		x4
C		x4

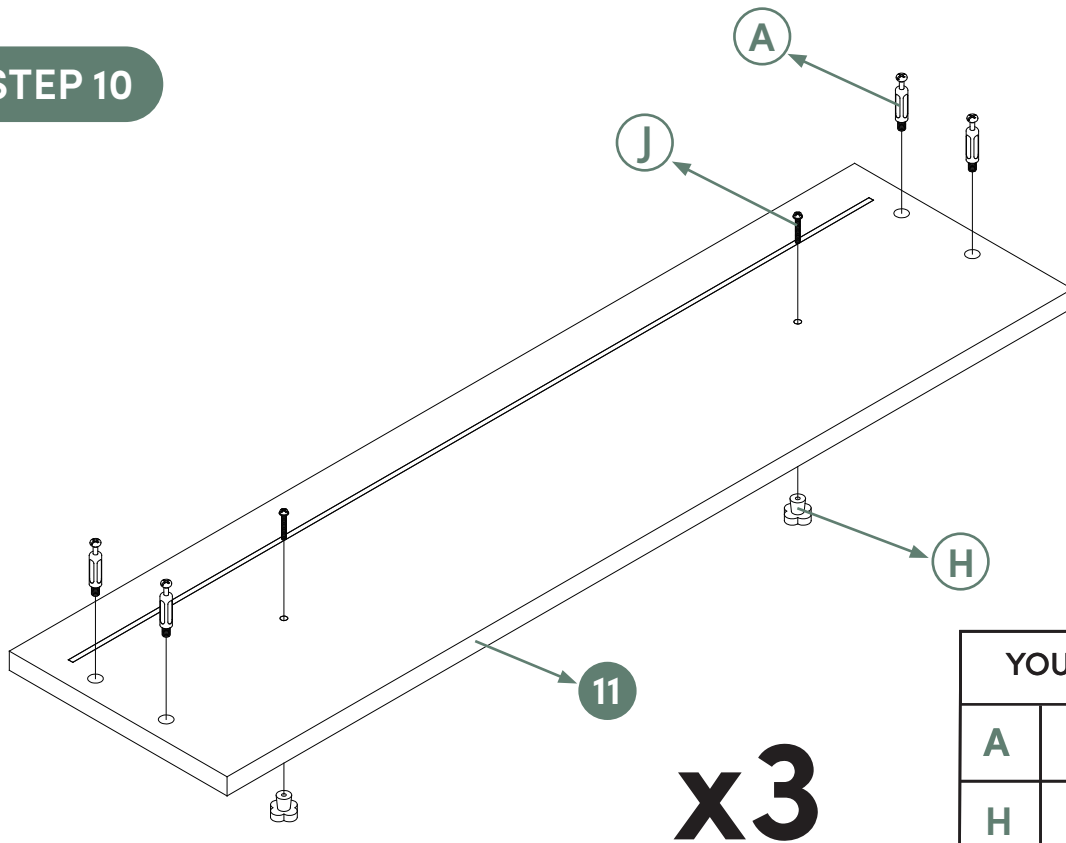
STEP 9






YOU WILL NEED		
G		x16

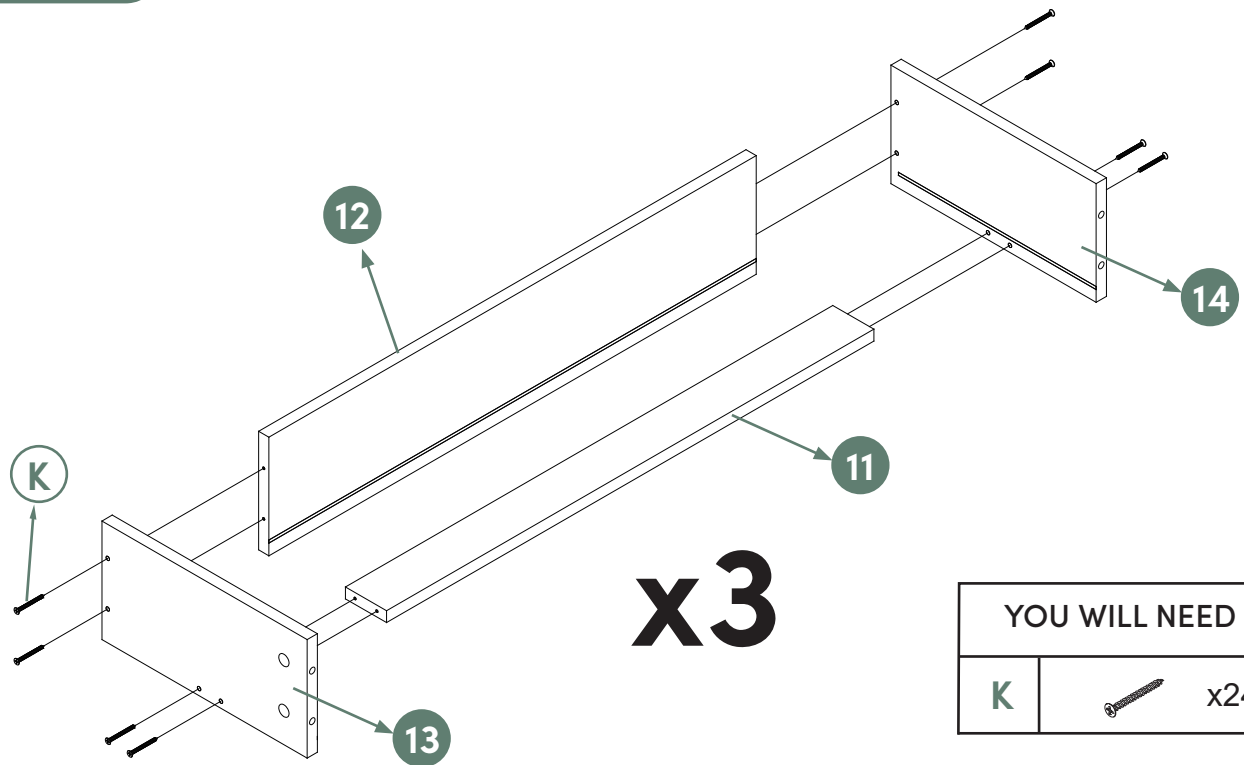
ASSEMBLY STEPS


STEP 10



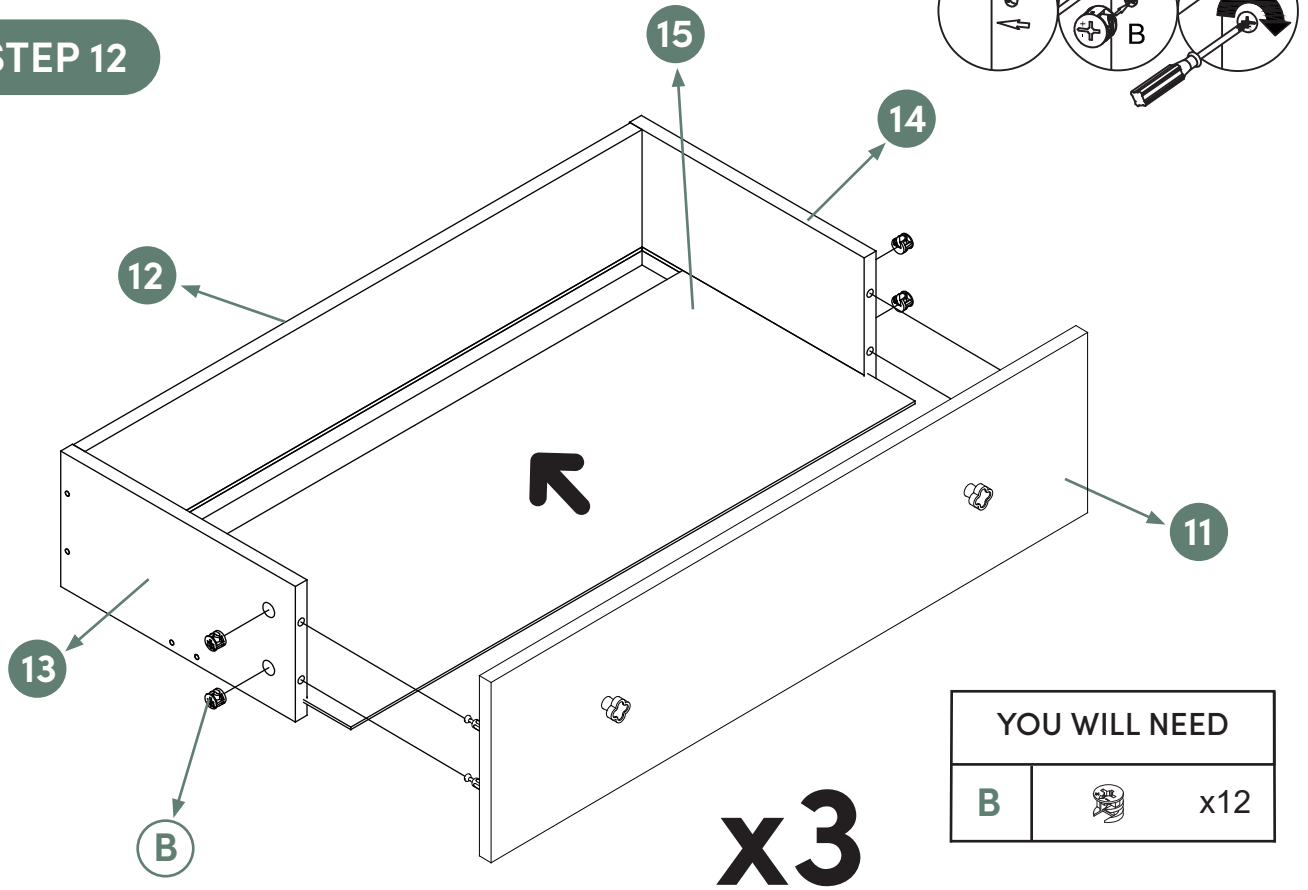
YOU WILL NEED		
A		x12
H		x6
J		x6

STEP 11

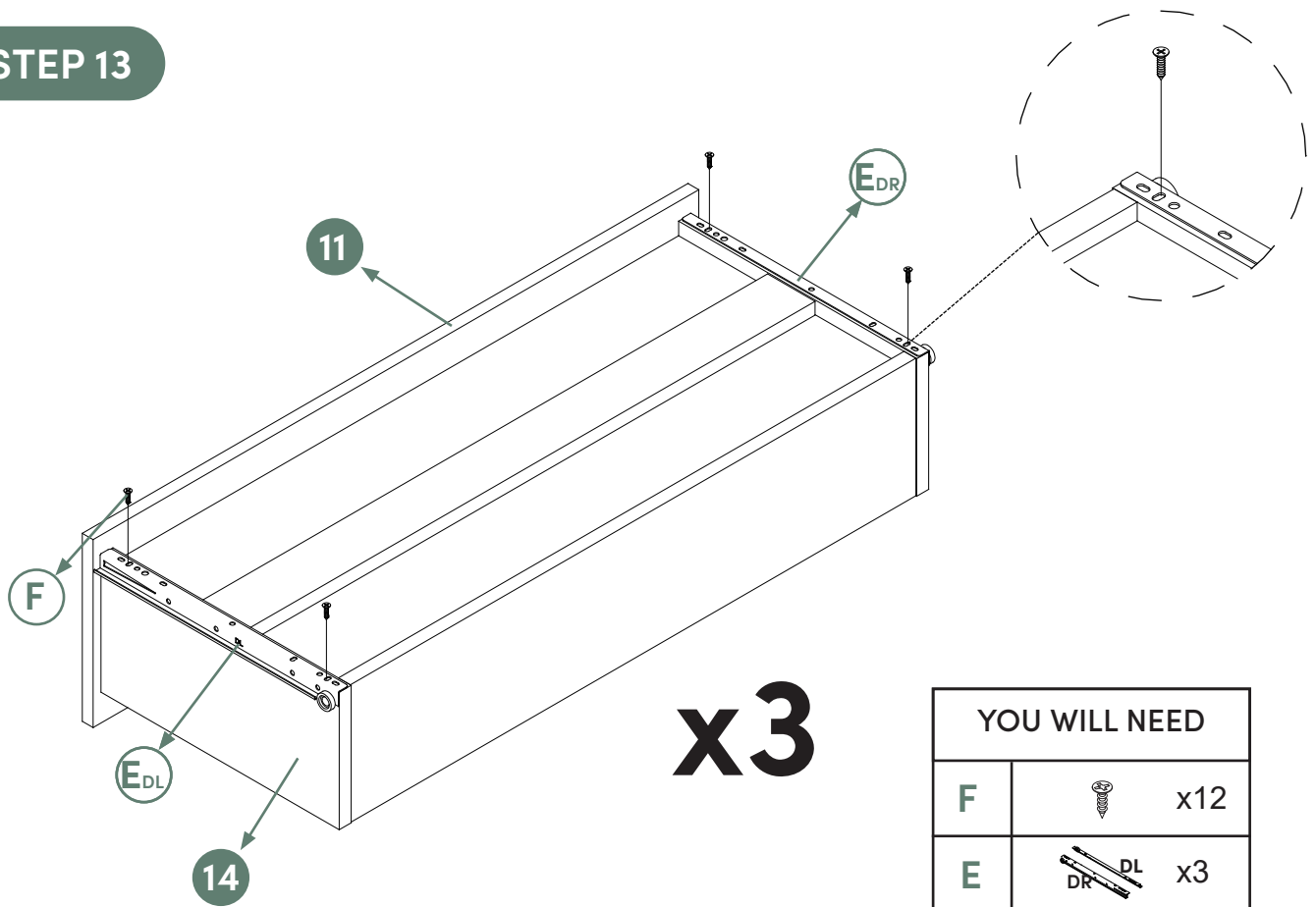


YOU WILL NEED		
K		x24

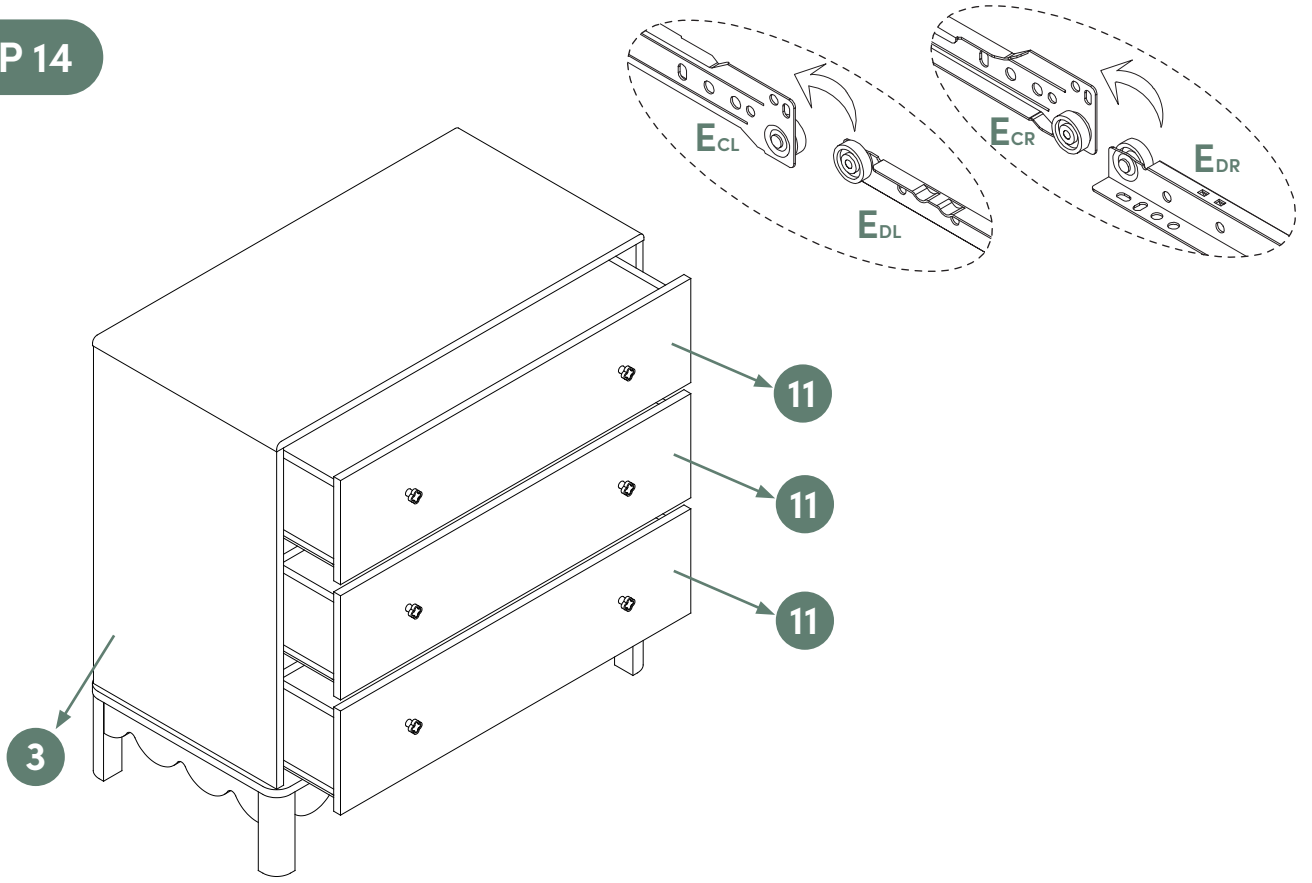
STEP 12



STEP 13

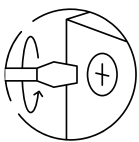
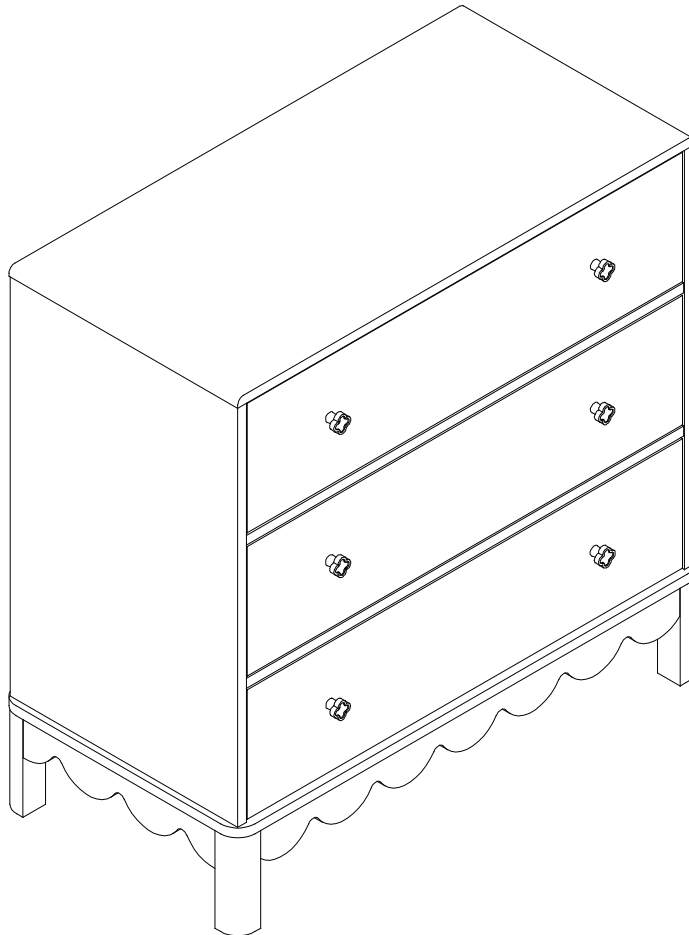


STEP 14



GREAT JOB. YOU'RE DONE!

To move the assembled unit, please lift it up and do not drag to avoid damaging the middle part.



When assembling this unit, please make sure all screws are fastened tightly. After one or two months, please recheck and make sure all screws are still tight.



This drawer can hold weight of up to 40 kg.

CARE INSTRUCTION

Follow these basic steps to protect your furniture.

Clean Gently

Use a mild wood cleaner or a mixture of water and mild dish soap to clean spills. Wipe the surface gently with a damp cloth, then dry it thoroughly.

Temperature and Humidity

Avoid direct sunlight. Maintain a consistent room temperature and humidity level to prevent wood from warping or cracking.

Use Furniture Pads

We recommend placing felt pad protectors under the furniture legs to prevent scratches on the floors.

Avoid Excessive Weight

Don't overload shelves or surfaces beyond their weight capacity.

***Again, we thank you for your purchase.
You've made our day, and we hope you have a great one too! Enjoy your furniture!***

For any questions, please call us at 02 8999 1114 or contact our online customer service team through our website.

LUXO|Furniture