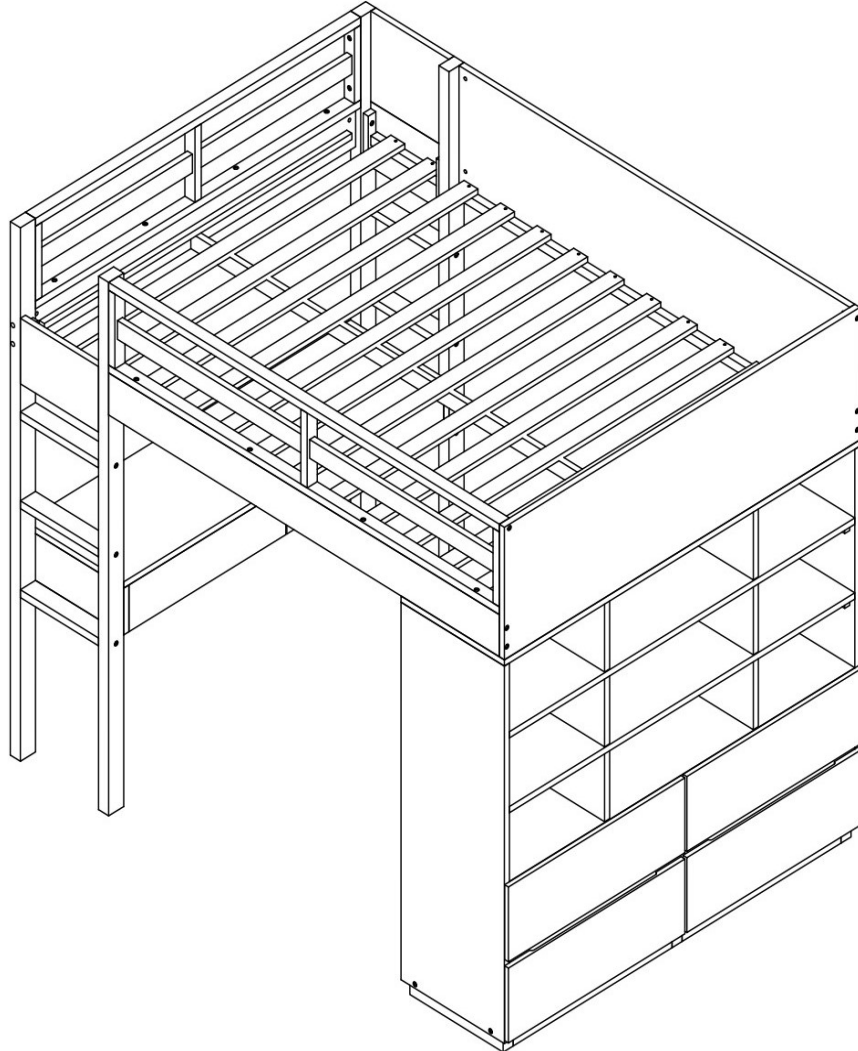


LBGIOB

LUXO|LIVING

Loft Bed with Cabinet and Desk Double Size



Assembly requires at least 2 persons



Extra tools you may need

We recommend the use of a power drill on a low-speed setting for quick assembly.



SAFETY FIRST

All of the Loft beds are designed and manufactured with your child's safety as our top priority. Our bunks meet all compliance with AS/NZS 4220:2010. Safety is a cooperative effort between us as the manufacturer and you as a guardian. Please read and consider the warnings listed below when choosing a mattress and discussing rules of use with your child.

SAFETY WARNINGS

1. Follow the information on the warnings found on the Top Loft bed end structure and on the package. Do not remove the warning label on the bed.
2. Always use the recommended mattress size or mattress support, or both, to help prevent the likelihood of entrapment or falls.
3. Surface of mattress must be at least 16 cm below the upper edge of the guardrails.
MATTRESS SIZE AND FOUNDATION: Use only a mattress, foundation and deck combined that is 92 cm long and 188 cm wide on the Top Loft bed. Ensure that the thickness of the mattress and foundation combined does not exceed 15 cm and is at least 16 cm below the upper edge of the guardrails.
4. Do not allow children under 9 years of age to use the Top Loft bed.
5. Do not allow more than two persons on the Top Loft bed. The maximum weight for the Top Loft bed is 200kg.
6. Periodically, check and ensure that the guardrail, ladder, and other components are in their proper position, free from damage, and that all connectors are tight.
7. Do not allow horseplay on or under the bed and do not allow jumping on the bed.
8. Always use the ladder for climbing and going down the Top loft bed.
9. Do not use substitute parts. Contact Luxo Living for replacement parts.
10. Using a nightlight may provide an added safety precaution for a child using the Top loft bed.
11. Always use guardrails on both long sides of the Top Loft bed. If the Loft bed will be placed next to the wall, the guardrail that runs the full length of the bed should be placed against the wall to prevent entrapment between the bed and wall.
12. The use of water or sleep flotation mattresses is prohibited.
13. Please make sure all bolts are securely tightened before the initial use of this Loft bed.

STRANGULATION HAZARD

Never attach or hang items on any part of the Loft bed that are not designed for use with the bed, including but not limited to, hooks, belts, and jump ropes.

WARNING

TOP BUNKS AND ELEVATED BEDS ARE DANGEROUS AND ARE NOT RECOMMENDED FOR CHILDREN UNDER THE AGE OF 9.

Falls from elevated beds can be fatal and deaths have occurred where children have fallen from elevated beds. This is relevant for all ages. The risk is greater for younger children.

The risk of injury or death from a fall from an elevated bed compared to a non-elevated bed is :

10 x greater for 7-8 year olds

7 x greater for 9-10 year olds

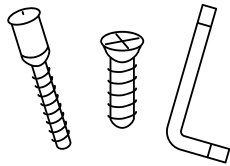
3 x greater for 11-12 year olds

Keep these instructions for future reference.

THANK YOU FOR YOUR PURCHASE!

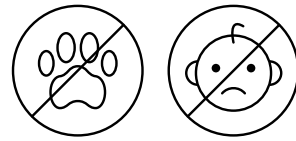
We hope you enjoy this product as much as we enjoyed making it!

We suggest you spend **5 minutes** in reading these tips before assembling the unit. Strictly follow the instructions step by step.



Tool Check

Check contents to ensure that you have the specified quantity for all identified parts and metal fittings.



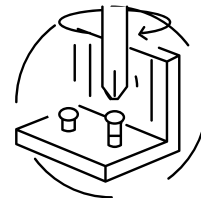
Safety Check

Keep children and pets away from working area as unit has small parts that are choking hazards if swallowed.



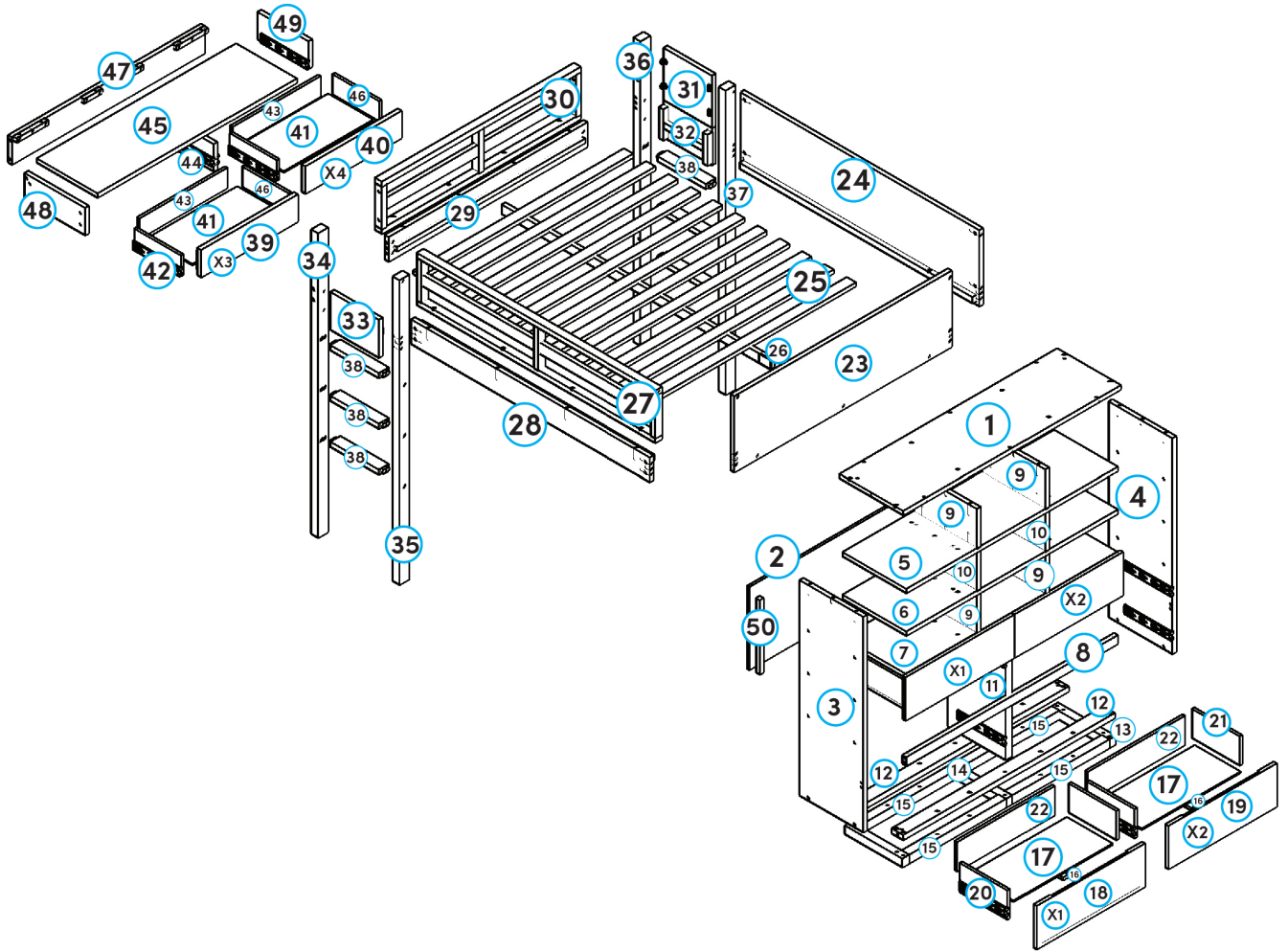
Do Not Use Power Tool

Do not use any power tool for assembly as it may damage the unit and make it unsafe to use. Use of any power tool will invalidate any claim you may have.

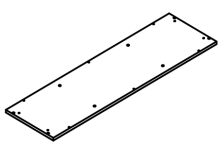


Easier Assembly Tip

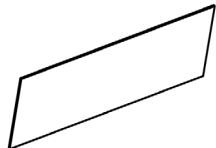
We strongly advise that all fittings be finger-tightened during the initial assembly phase. You may fully tighten them all once assembly is complete.



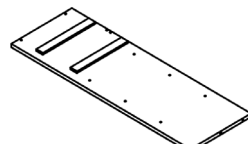
PARTS LIST



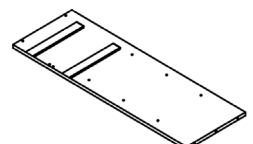
1 x1



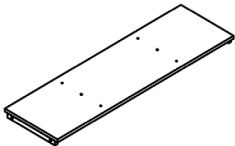
2 x1



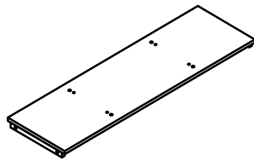
3 x1 (L)



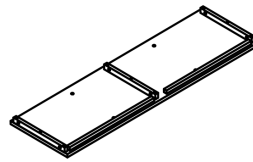
4 x1 (R)



5 x1



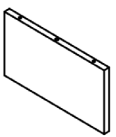
6 x1



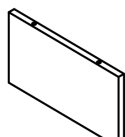
7 x1



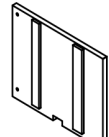
8 x1



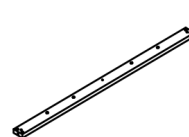
9 x4



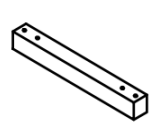
10 x2



11 x1

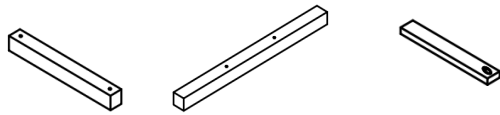


12 x2

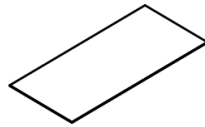


13 x2

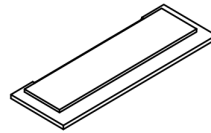
PARTS LIST



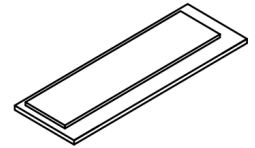
14 x1 15 x4 16 x6



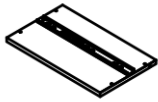
17 x4



18 x2



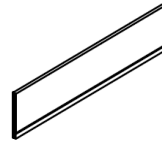
19 x2



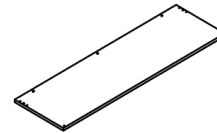
20 x4 (R)



21 x4 (L)



22 x4



23 x1



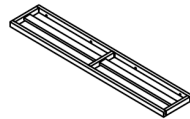
24 x1



25 x13



26 x1



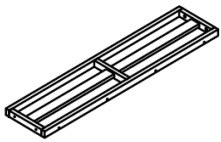
27 x1



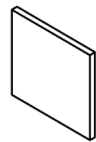
28 x1



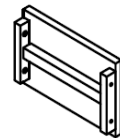
29 x1



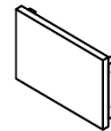
30 x1



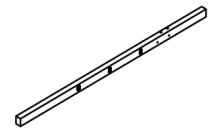
31 x1



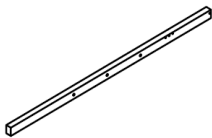
32 x1 (L)



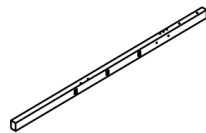
33 x1 (R)



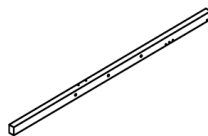
34 x1



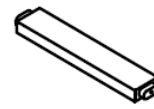
35 x1



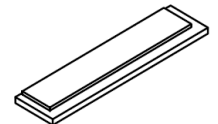
36 x1



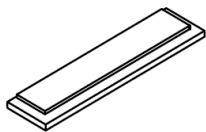
37 x1



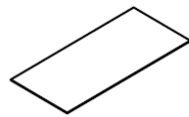
38 x6



39 x1



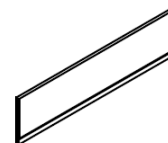
40 x1



41 x2



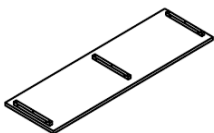
42 x2 (L)



43 x2



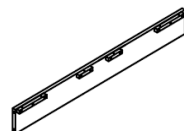
44 x1



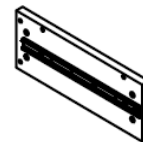
45 x1



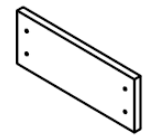
46 x2 (R)



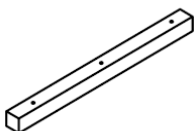
47 x1



48 x1 (L)



49 x1 (R)



50 x2

HARDWARE LIST

Please check if you have all the fittings and tools listed below.

A



Bolt 1/4 X 55 X F13
16 PCS

B



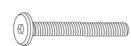
Wood Screw Ø4 X 30
112 PCS

C



Bolt Ø6 X 50 X F13
17 PCS

D



Bolt 1/4 X 30 X F13
20 PCS

E



Bolt Ø6 X 70 X F13
1 PC

F



20 X 20 X 3
8 PCS

G



Wood Screw Ø3.5 X 15
8 PCS

H



Bolt Ø6 X 60 X F13
12 PCS

I



Allen Key M4
2 PC

J



Ø10 X 40
28 PCS

K



Ø8 X 30
4 PCS

L



Bolt 1/4 X 40 X F13
48 PCS

M



Bolt 1/4 X 110 X F13
2 PCS

N



Bolt Ø10 X 13
27 PCS

O



Bolt 1/4 X 75 X F13
5 PCS

P



Bolt 1/4 X 90 X F13
4 PCS

Q



Center Rail Bracket
2 PCS

R



Hex Nut (1/4 X M6)
2 PCS

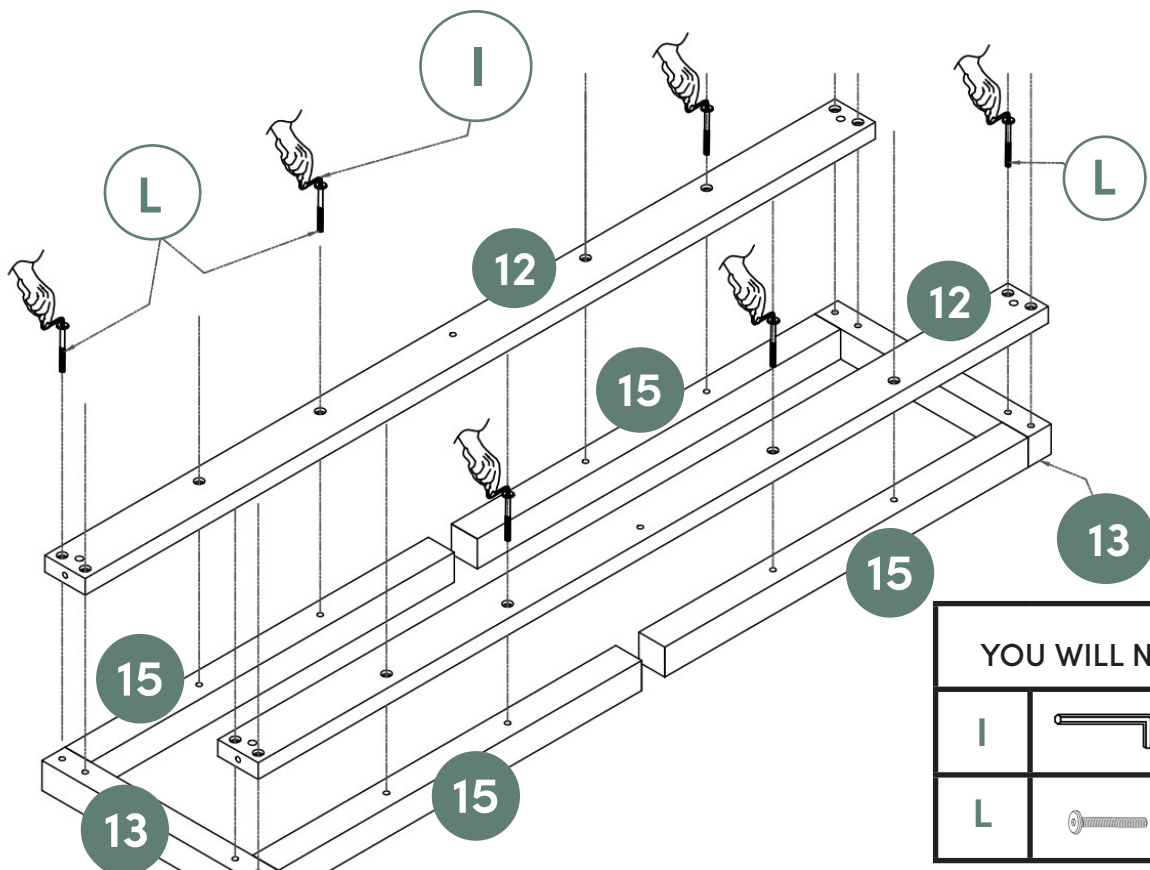
S





Wood Screw Ø3.5 X 15
16 PCS

STEP 1

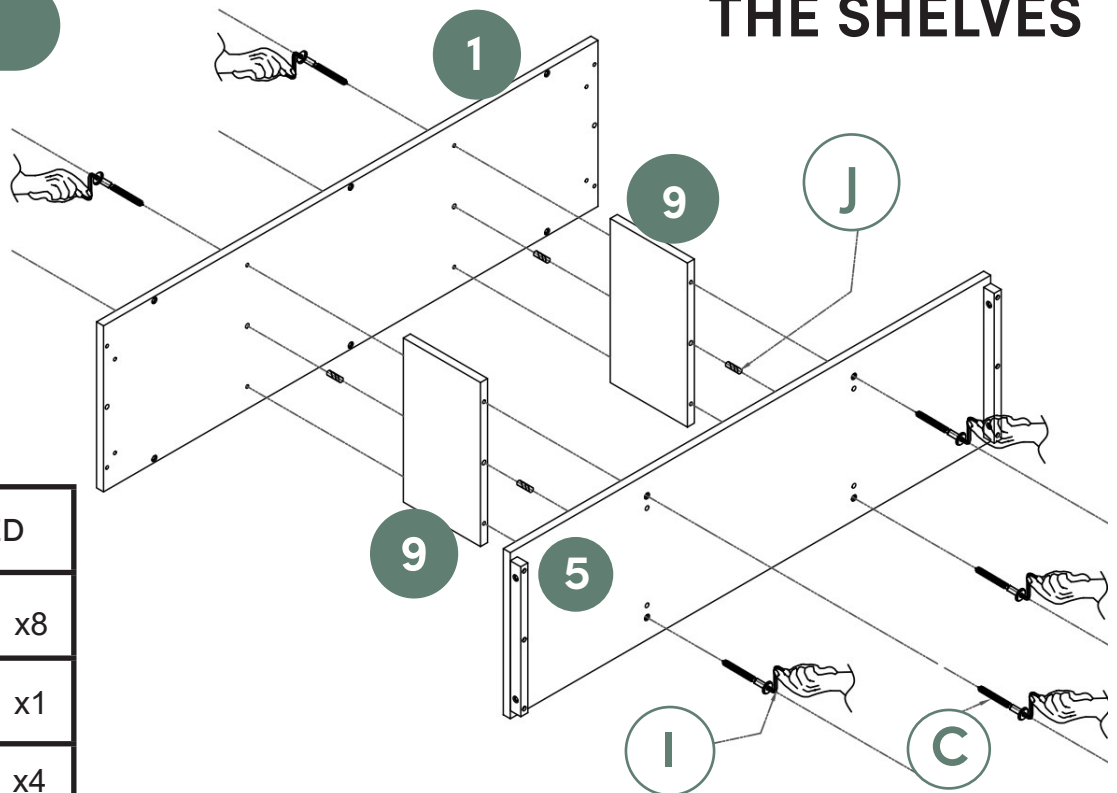
THE SHELVES BASE






YOU WILL NEED		
I		x1
L		x16

STEP 2

THE SHELVES

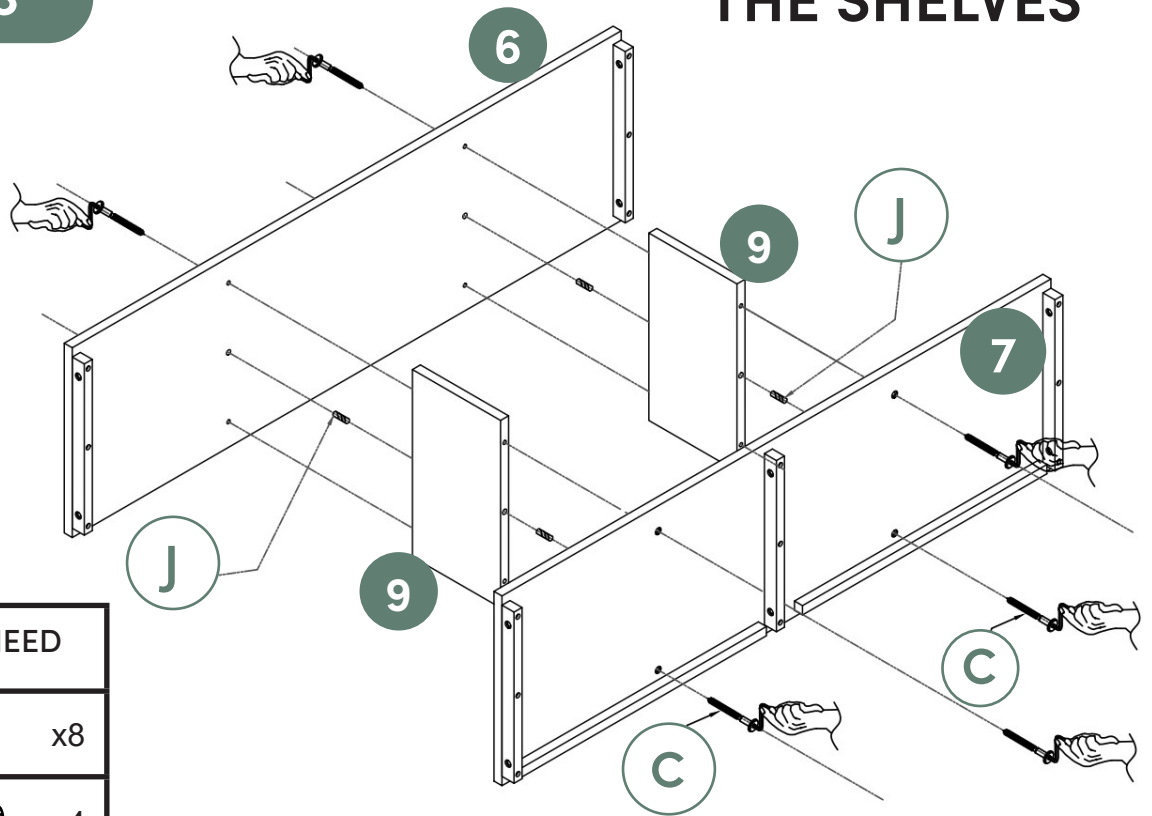




YOU WILL NEED		
C		x8
I		x1
J		x4

ASSEMBLY STEPS

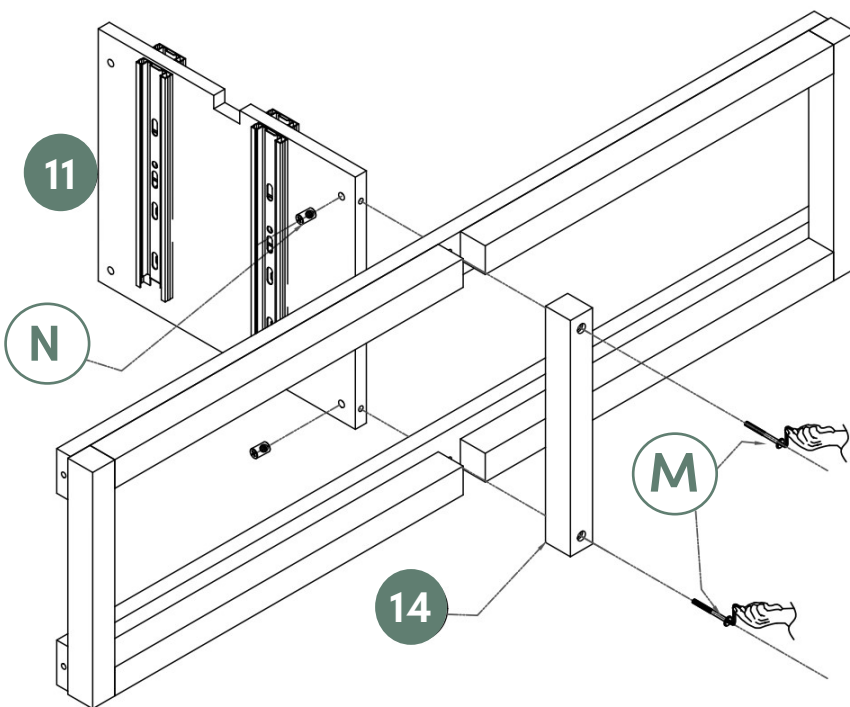
STEP 3

THE SHELVES



YOU WILL NEED		
C		x8
J		x4

STEP 4 THE SHELVES



YOU WILL NEED		
M		x2
N		x2

ASSEMBLY STEPS

STEP 5

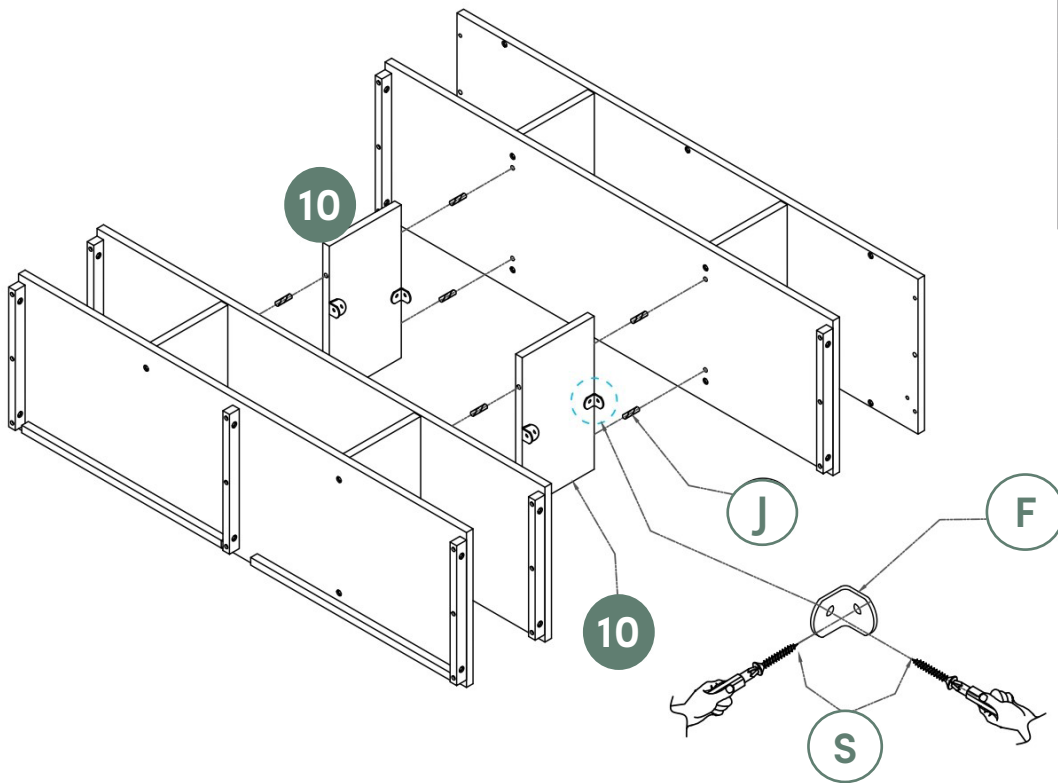
THE SHELVES

YOU WILL NEED

F  x4

J  x8

S  x8



STEP 6

SIDE PANEL ATTACH TO THE SHELVES

YOU WILL NEED

A  x4

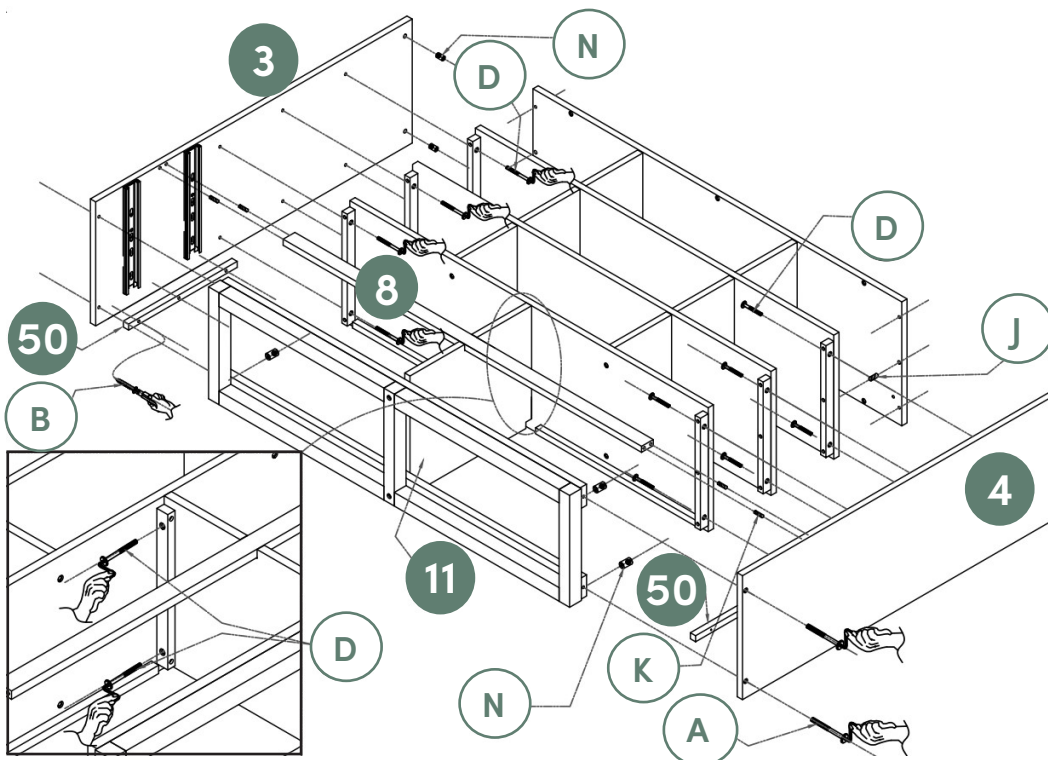
B  x6

D  x12

J  x2

K  x4

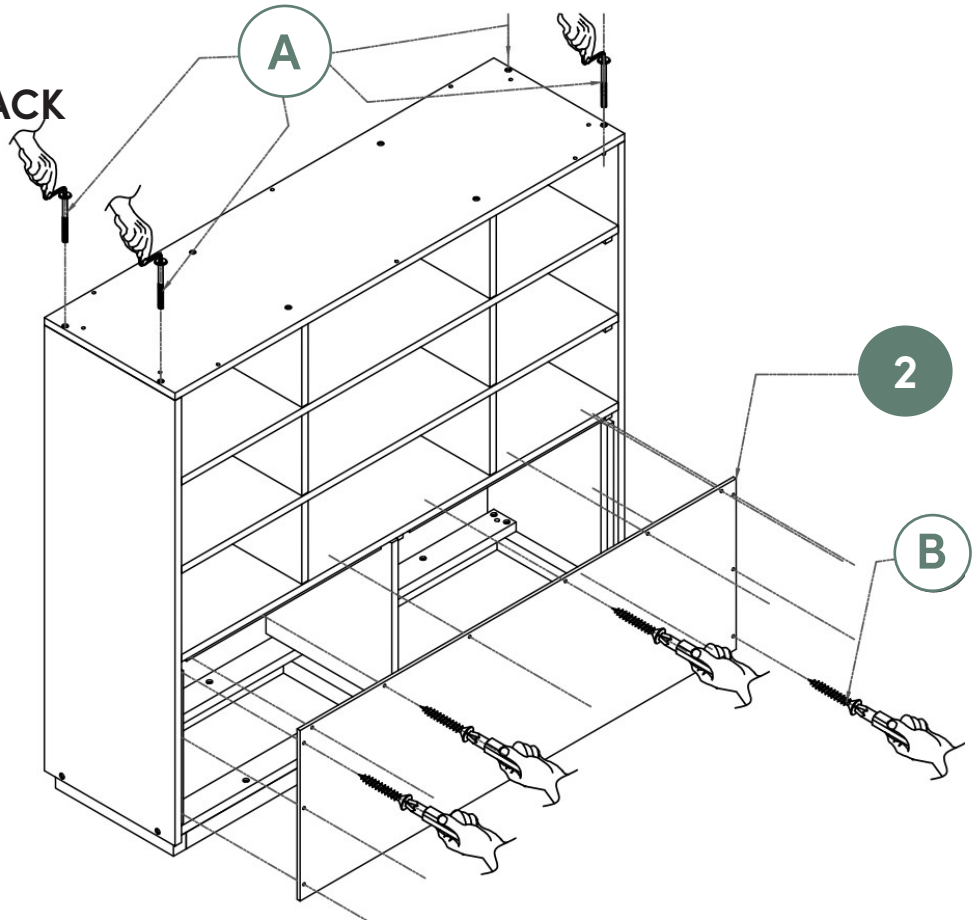
N  x8





ASSEMBLY STEPS

STEP 7


THE TOP PANEL + BACK PANEL ATTACH TO THE SHELVES

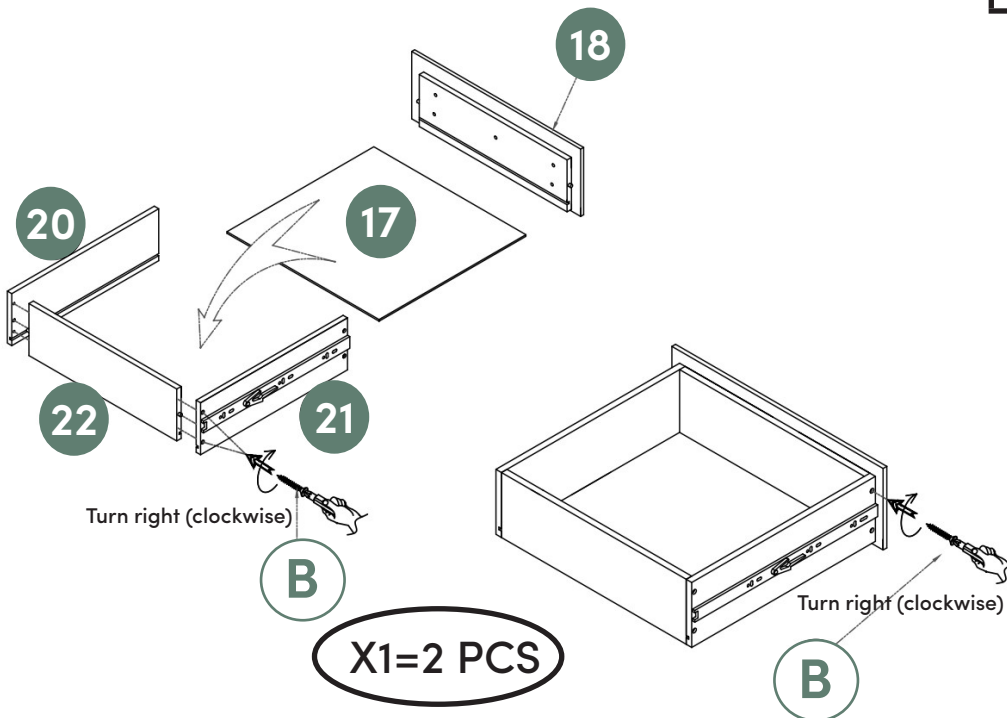


YOU WILL NEED		
A		x4
B		x12

STEP 8

LEFT DRAWERS PART# X1

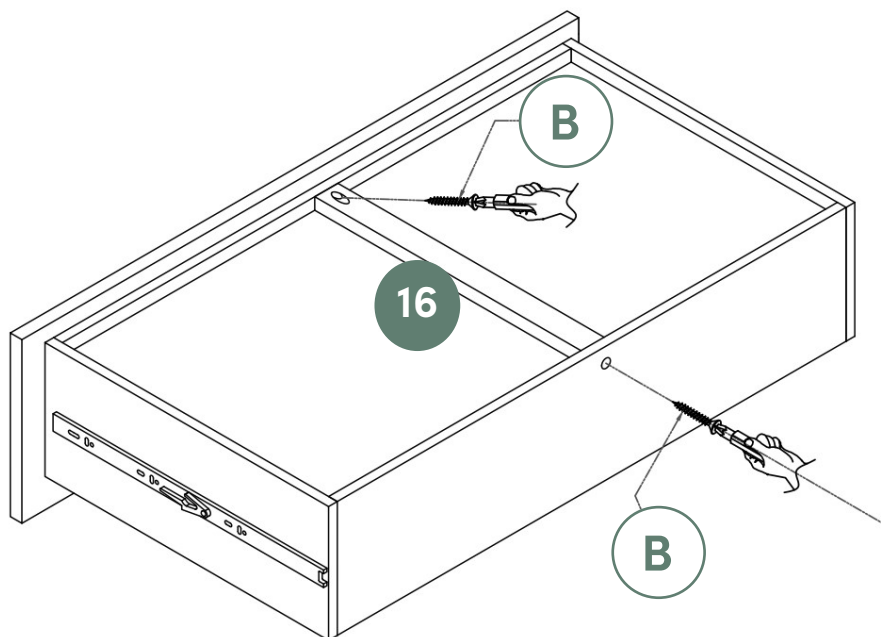
YOU WILL NEED		
B		x16




ASSEMBLY STEPS

STEP 9

LEFT DRAWERS PART# X1

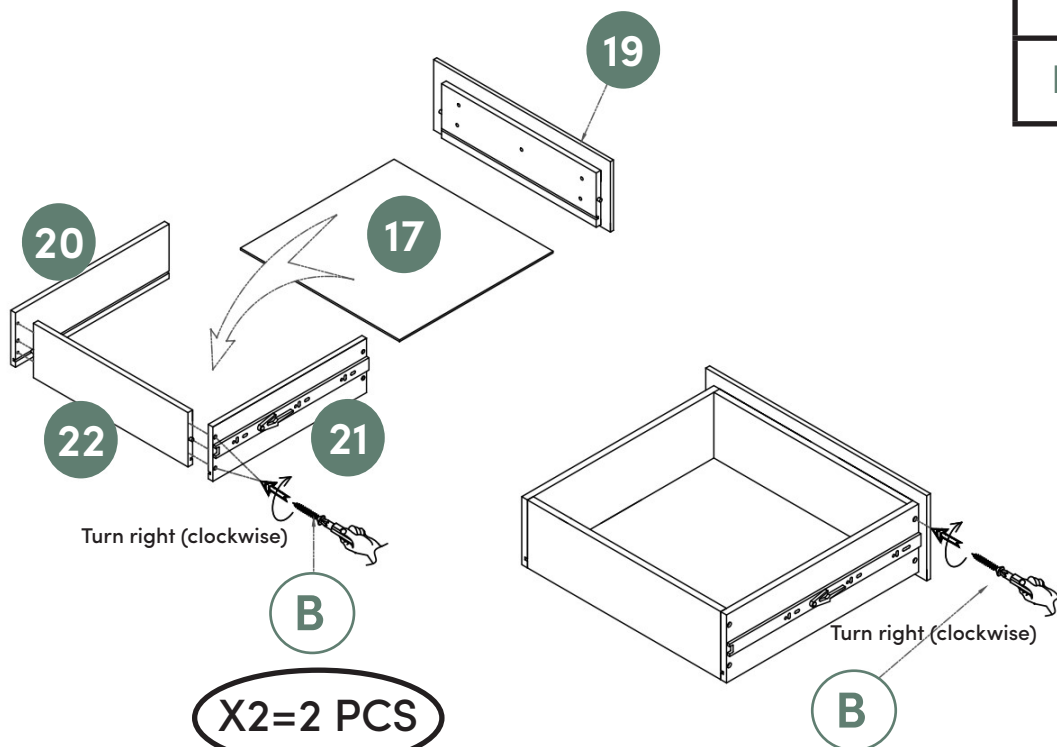



YOU WILL NEED		
B		x2

COMPLETED

STEP 10

RIGHT DRAWERS PART# X2

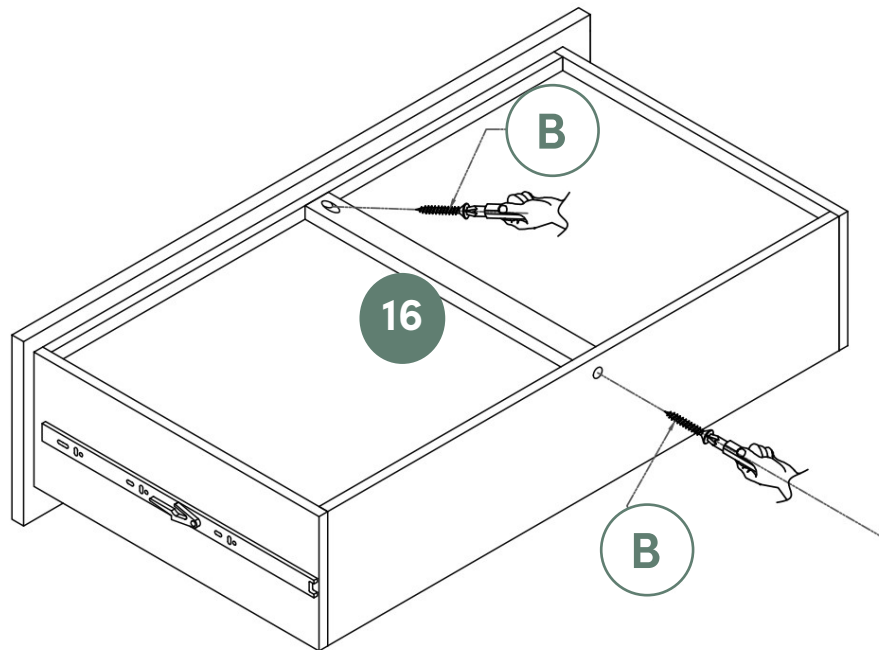



YOU WILL NEED		
B		x16

ASSEMBLY STEPS

STEP 11

RIGHT DRAWERS PART # X2

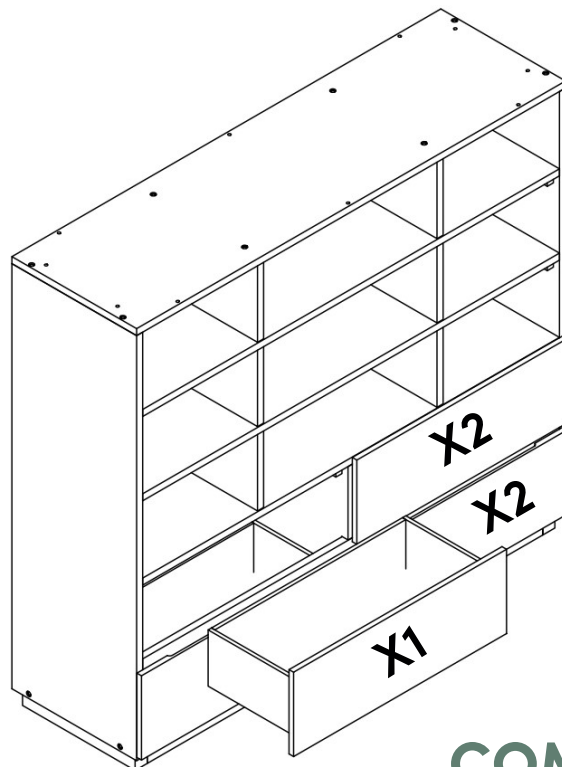
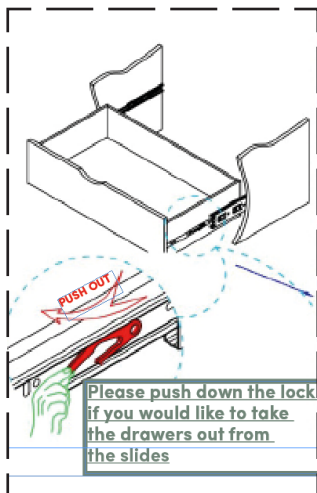


YOU WILL NEED		
B		x2

COMPLETED

STEP 12

LOCATION OF THE LEFT DRAWERS PART# X1 AND THE RIGHT DRAWERS PART # X2

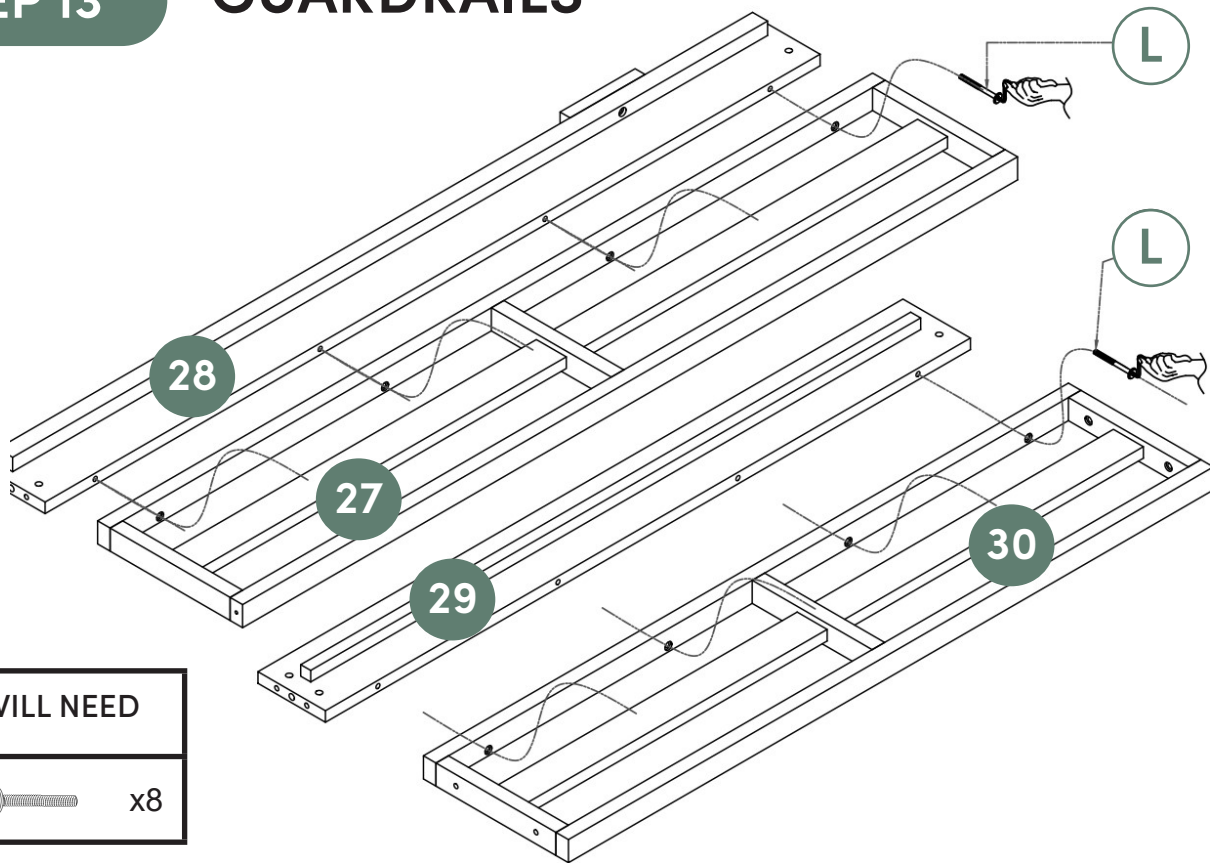


COMPLETED

ASSEMBLY STEPS

STEP 13

GUARDRAILS



YOU WILL NEED

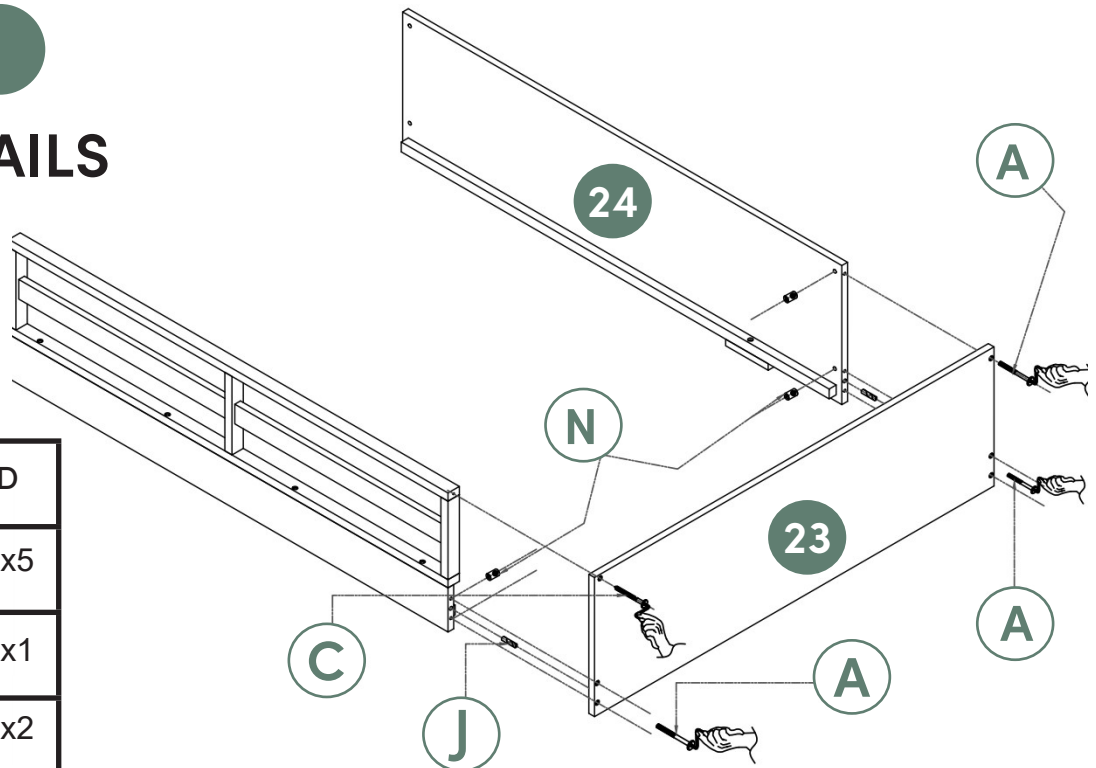
L



x8

STEP 14

GUARDRAILS



YOU WILL NEED

A



x5

C



x1

J



x2

N

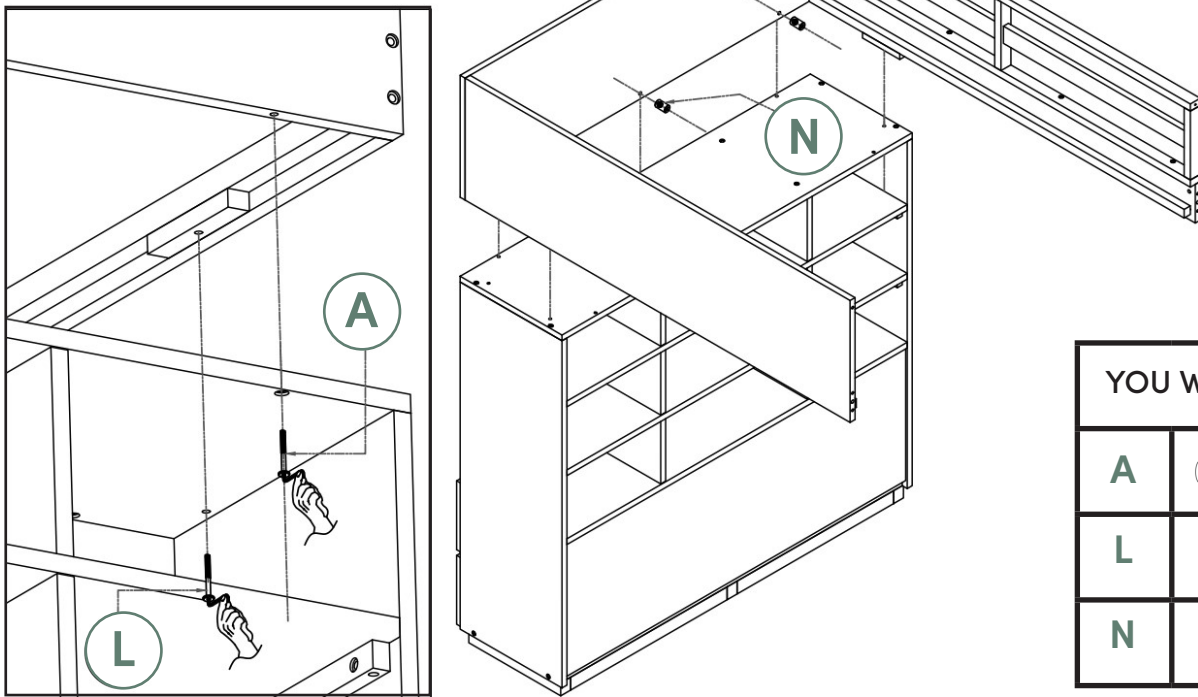


x5

ASSEMBLY STEPS

STEP 15

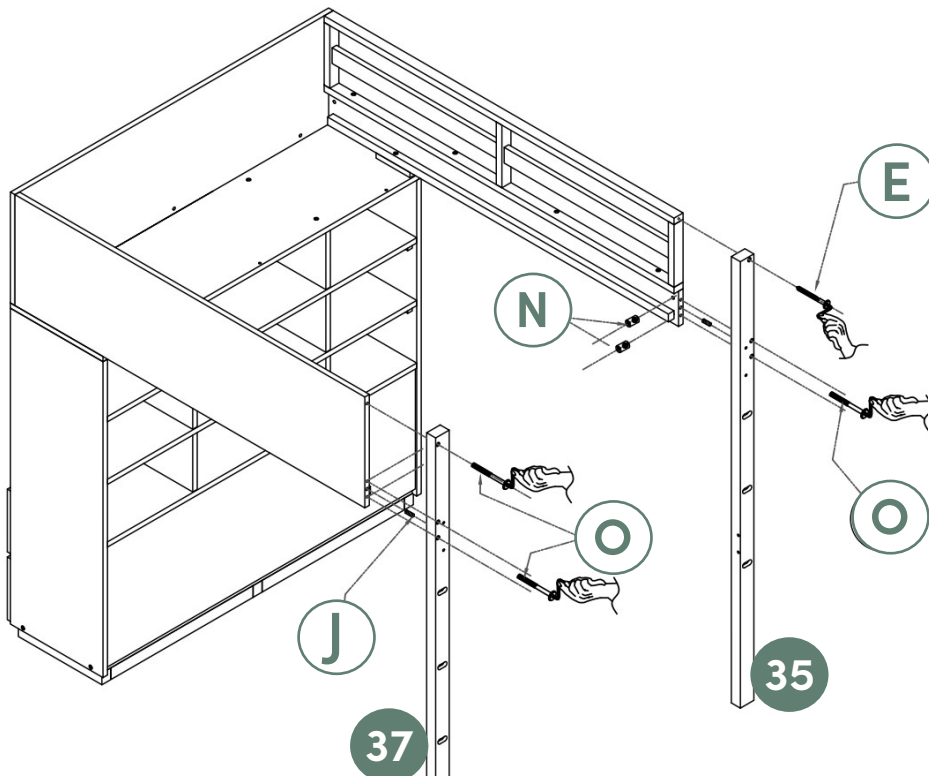
TOP LOFT BED



YOU WILL NEED		
A		x3
L		x2
N		x3

STEP 16

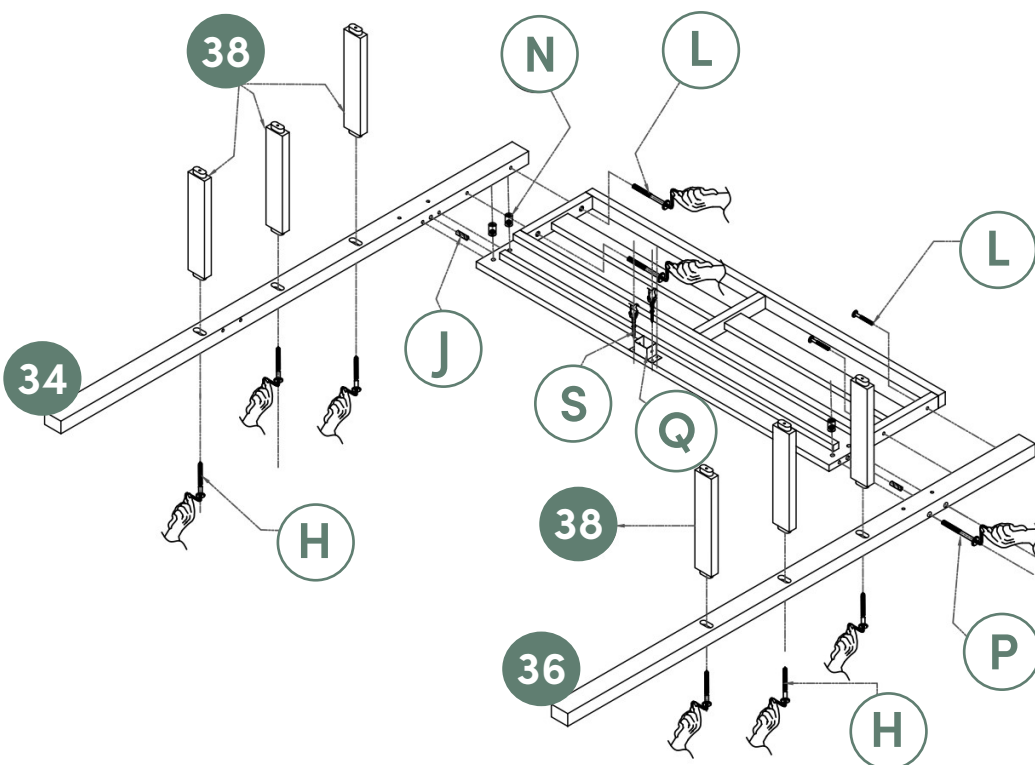
TOP LOFT BED










YOU WILL NEED		
E		x1
J		x2
O		x5
N		x5

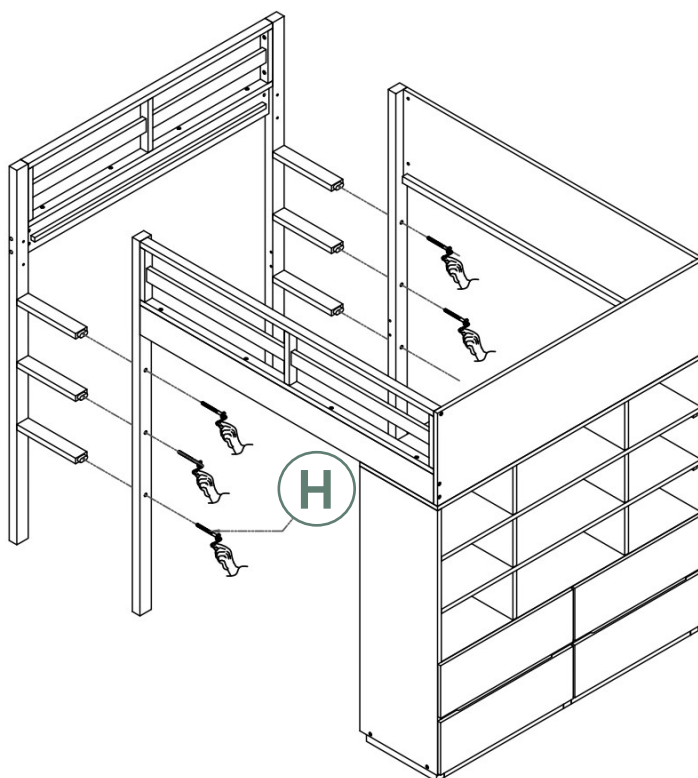
ASSEMBLY STEPS

STEP 17 SIDE LOFT BED



YOU WILL NEED		
H		x6
J		x2
L		x4
N		x4
P		x4
Q		x1
S		x4

STEP 18 SIDE LOFT BED ATTACH TO THE LOFT FRAME

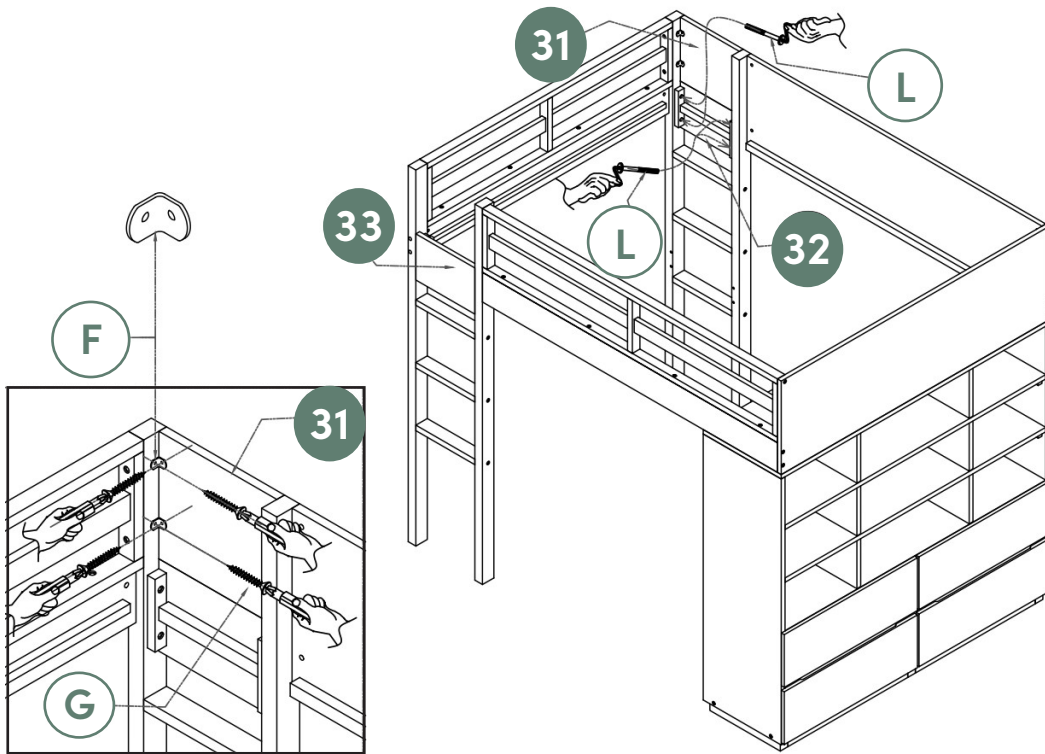


YOU WILL NEED		
H		x6




ASSEMBLY STEPS

STEP 19

GUARD BOARD ATTACH TO THE LOFT FRAME

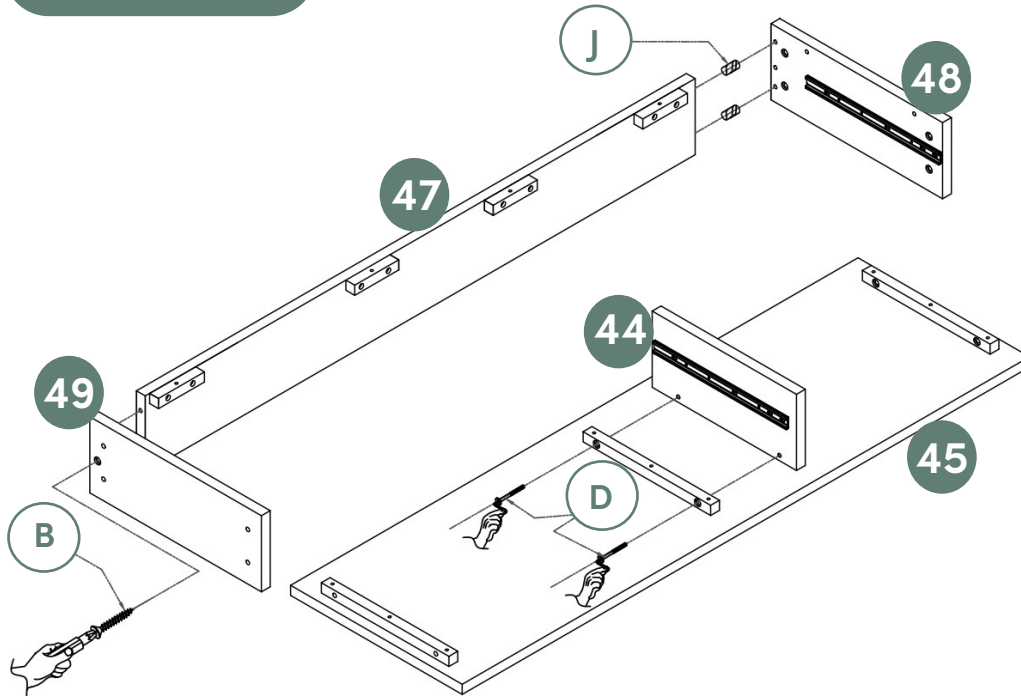


YOU WILL NEED




F		x4
G		x8
L		x8

STEP 20

DESK FRAME



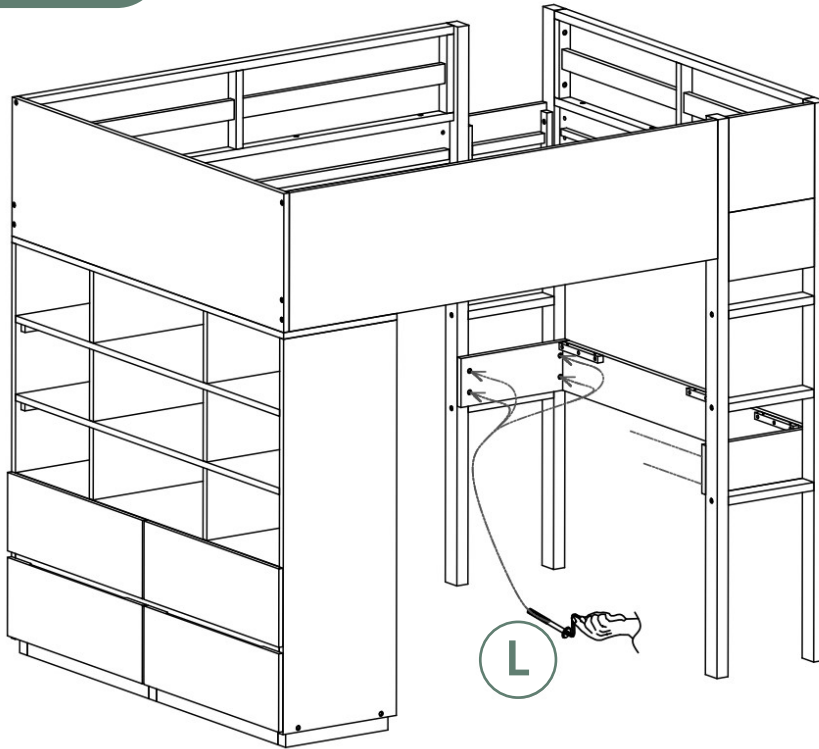
YOU WILL NEED

B		x2
D		x2
J		x4

ASSEMBLY STEPS

STEP 21

DESK FRAME ATTACH TO THE LADDER



YOU WILL NEED

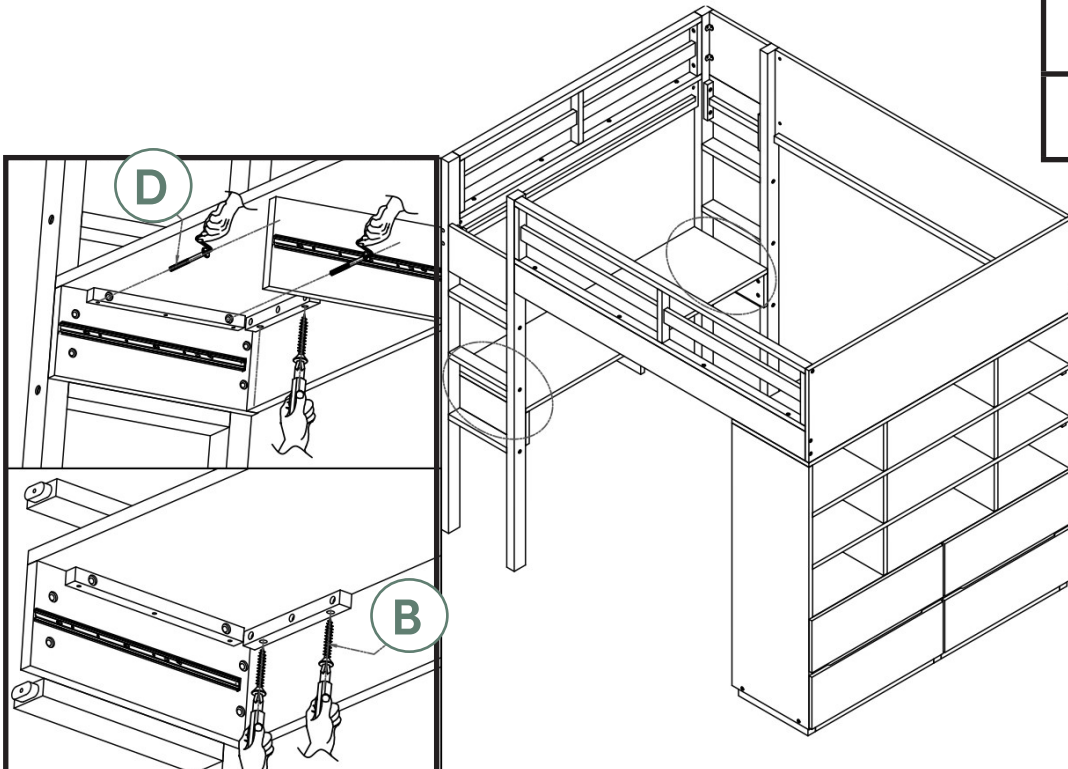
L



x8

STEP 22

DESK TOP ATTACH TO THE DESK FRAME



YOU WILL NEED

B



x4

D

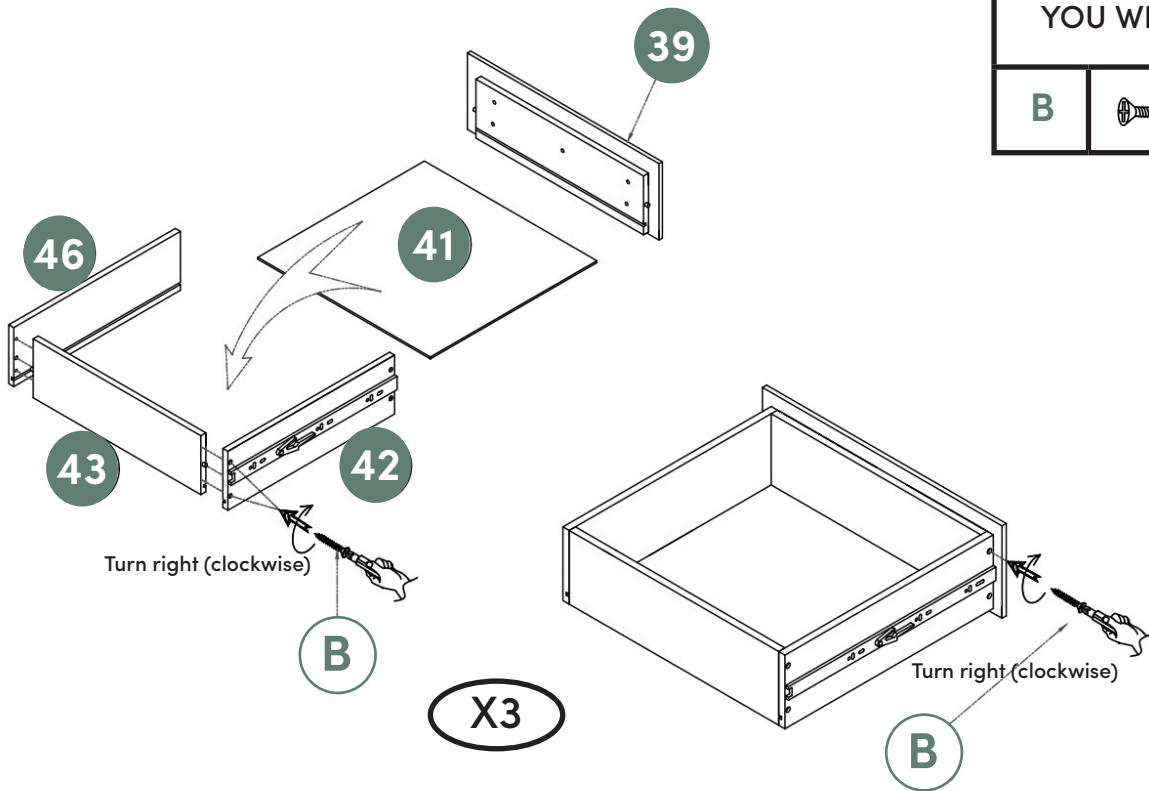


x4

ASSEMBLY STEPS

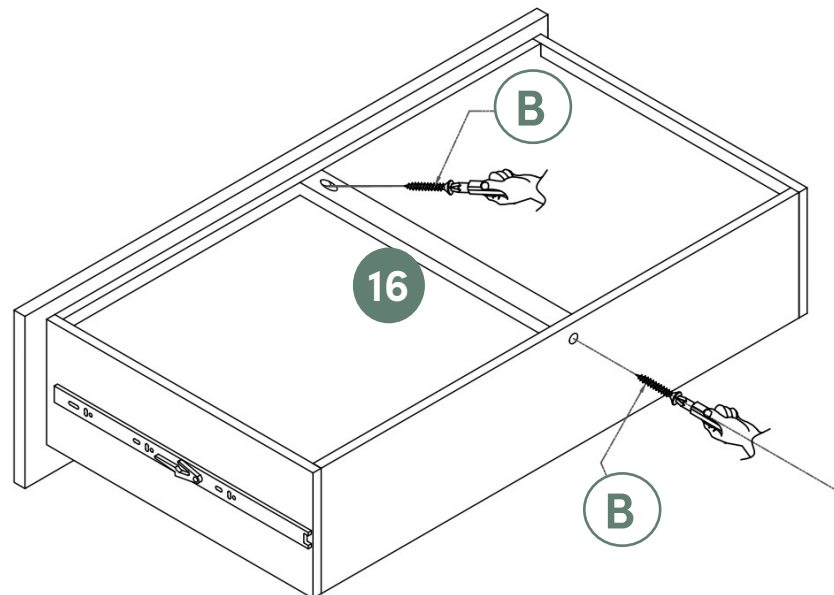
STEP 23

DESK LEFT DRAWER PART# X3



STEP 24

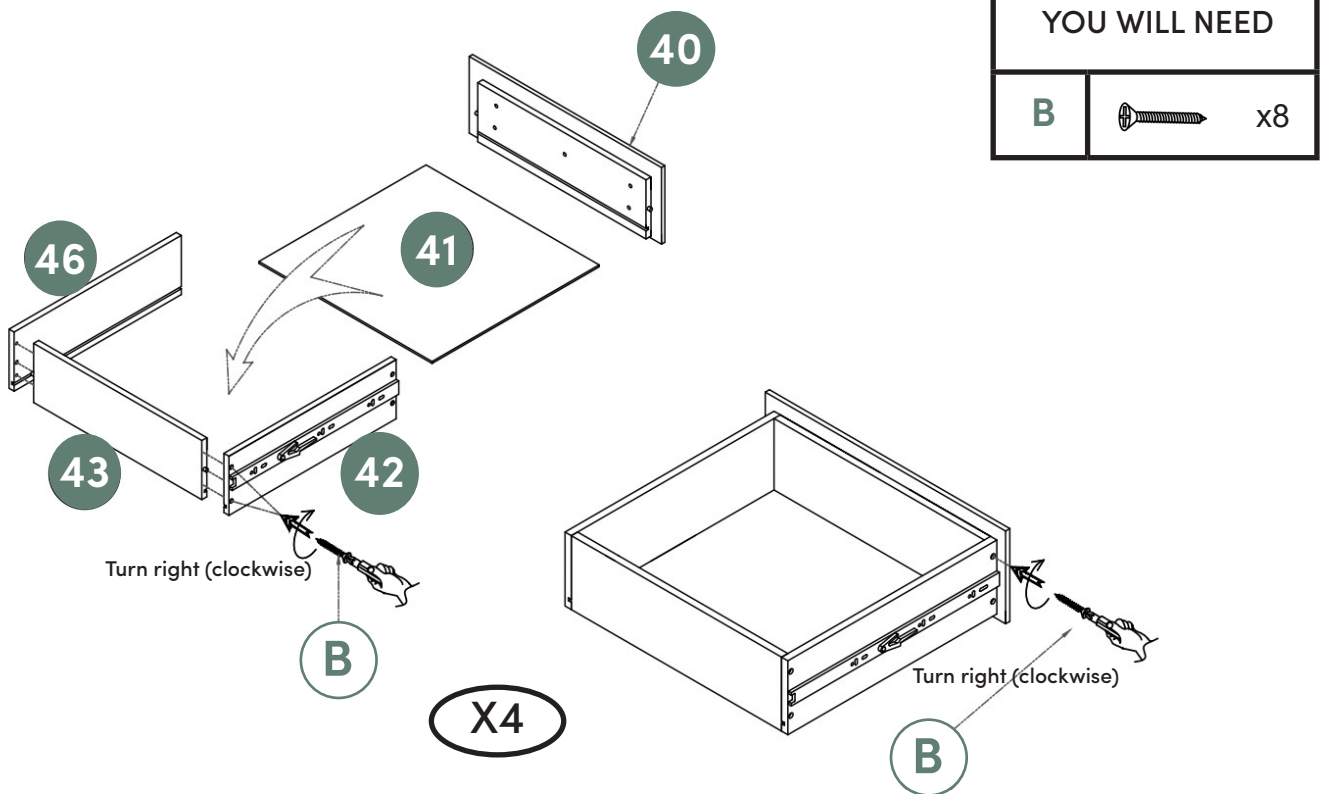
DESK LEFT DRAWER PART# X3



ASSEMBLY STEPS

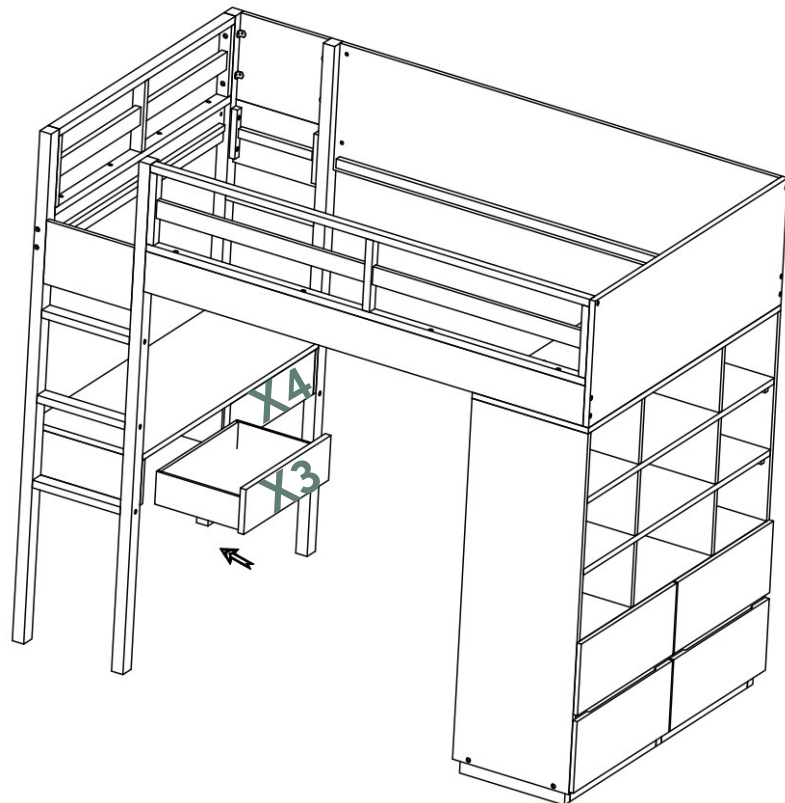
STEP 25

DESK RIGHT DRAWER PART# X4



STEP 26

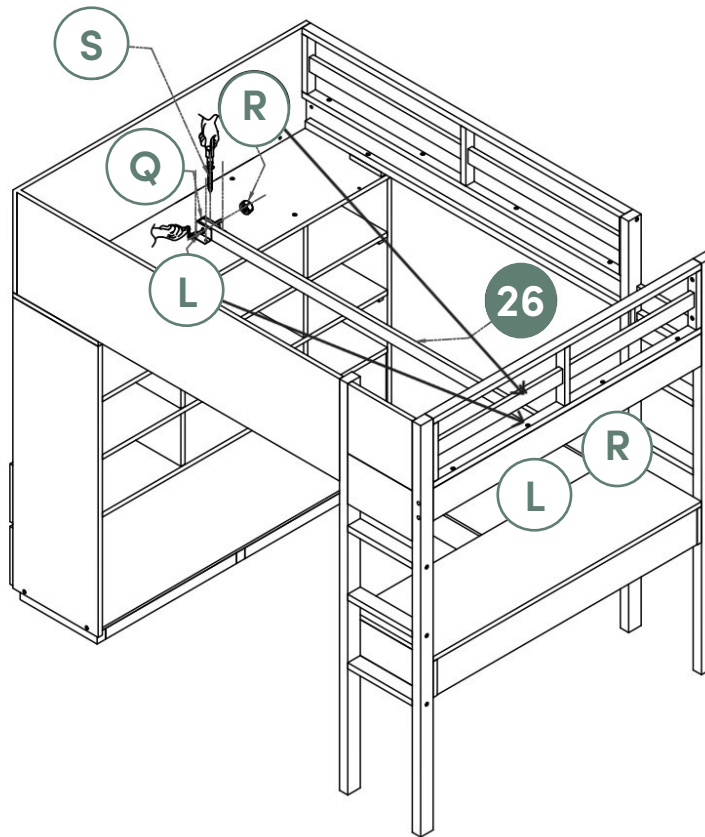
LOCATION OF THE LEFT DRAWERS PART# X3 AND THE RIGHT DRAWERS PART # X4







ASSEMBLY STEPS

STEP 27

MATTRESS SUPPORT CENTER SLAT

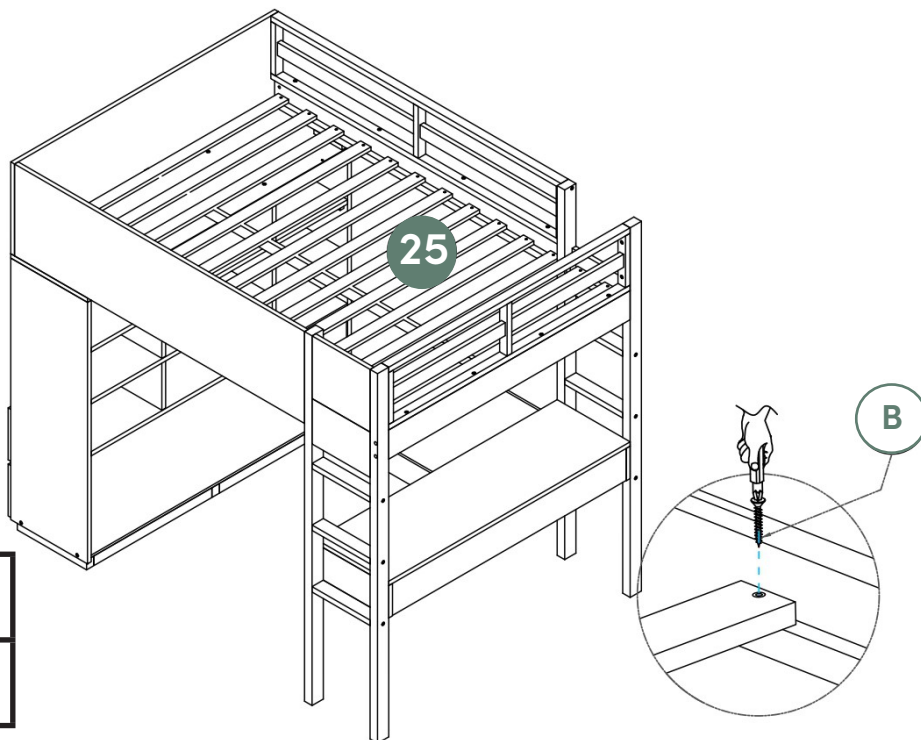


YOU WILL NEED


L		x2
Q		x1
R		x2
S		x4

STEP 28

SLATS

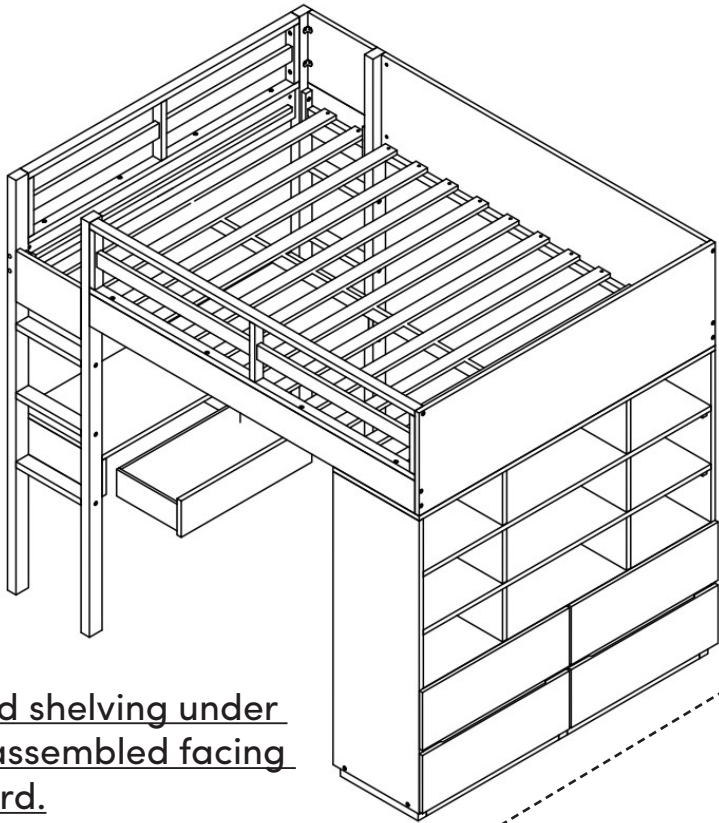


YOU WILL NEED

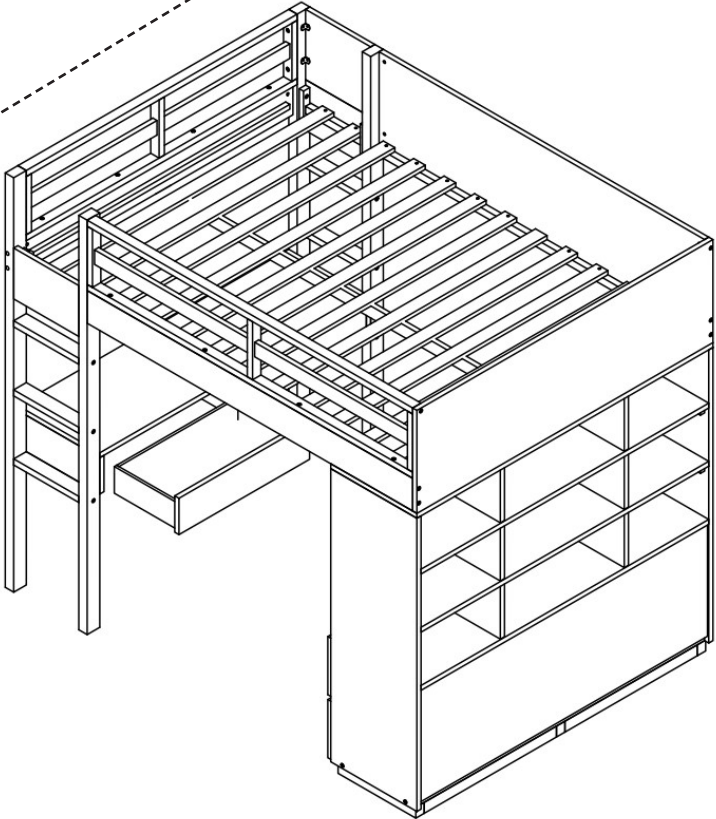
B		x26
---	---	-----

ASSEMBLY STEPS

COMPLETED

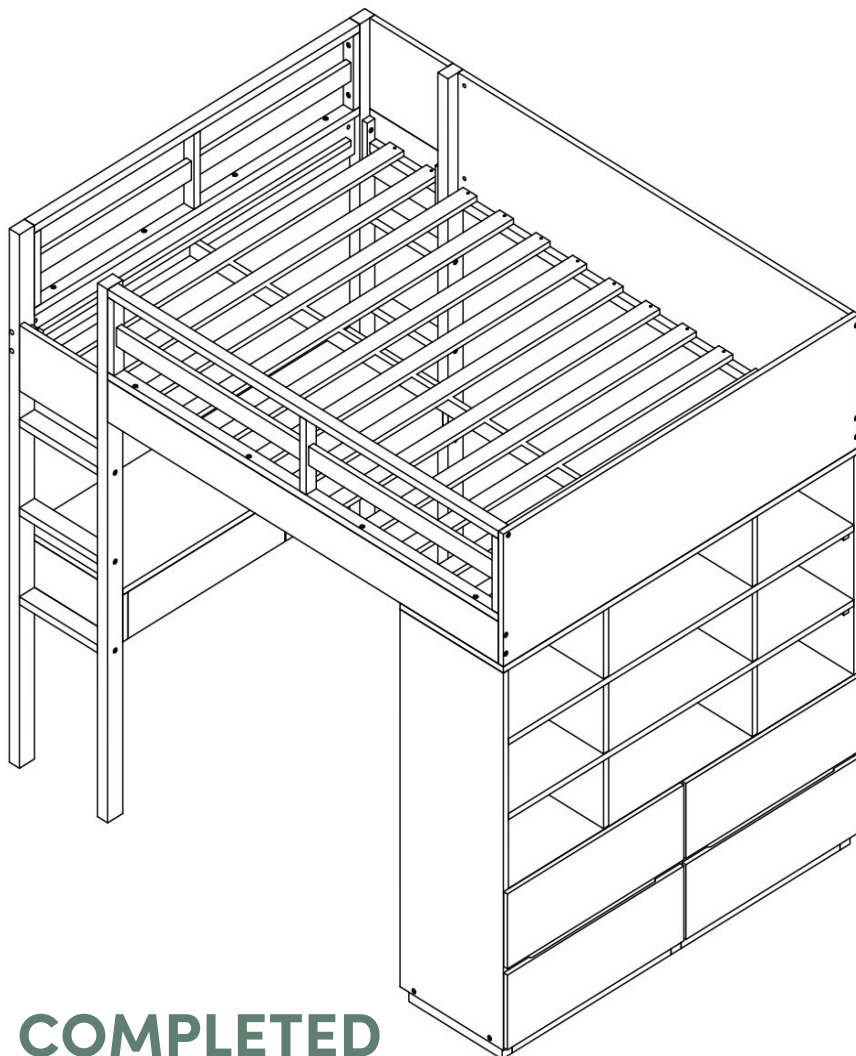


The drawers and shelving under the loft may be assembled facing outward or inward.

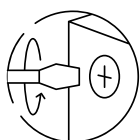


ASSEMBLY STEPS

GREAT JOB. YOU'RE DONE!



COMPLETED



When you assemble this bed, please make sure all screws are fastened tightly. After one or two months, please recheck and make sure all screws are still tight.

CARE INSTRUCTION

Follow these basic steps to protect your furniture.

Clean Gently

Use a mild wood cleaner or a mixture of water and mild dish soap to clean spills. Wipe the surface gently with a damp cloth, then dry it thoroughly.

Temperature and Humidity

Avoid direct sunlight. Maintain a consistent room temperature and humidity level to prevent wood from warping, cracking and painting.

Use Furniture Pads

Place furniture pads or felt protectors under furniture legs to prevent scratches on floors.

Avoid Excessive Weight

Do not overload Top Loft bed as it can only accommodate a maximum weight of 200kg.

***Again, we thank you for your purchase.
You've made our day, and we hope you have a great one too!
Enjoy our product!***

For any questions, please call us at 02 8999 1114 or contact our online customer service team through our website.

LUXO|LIVING