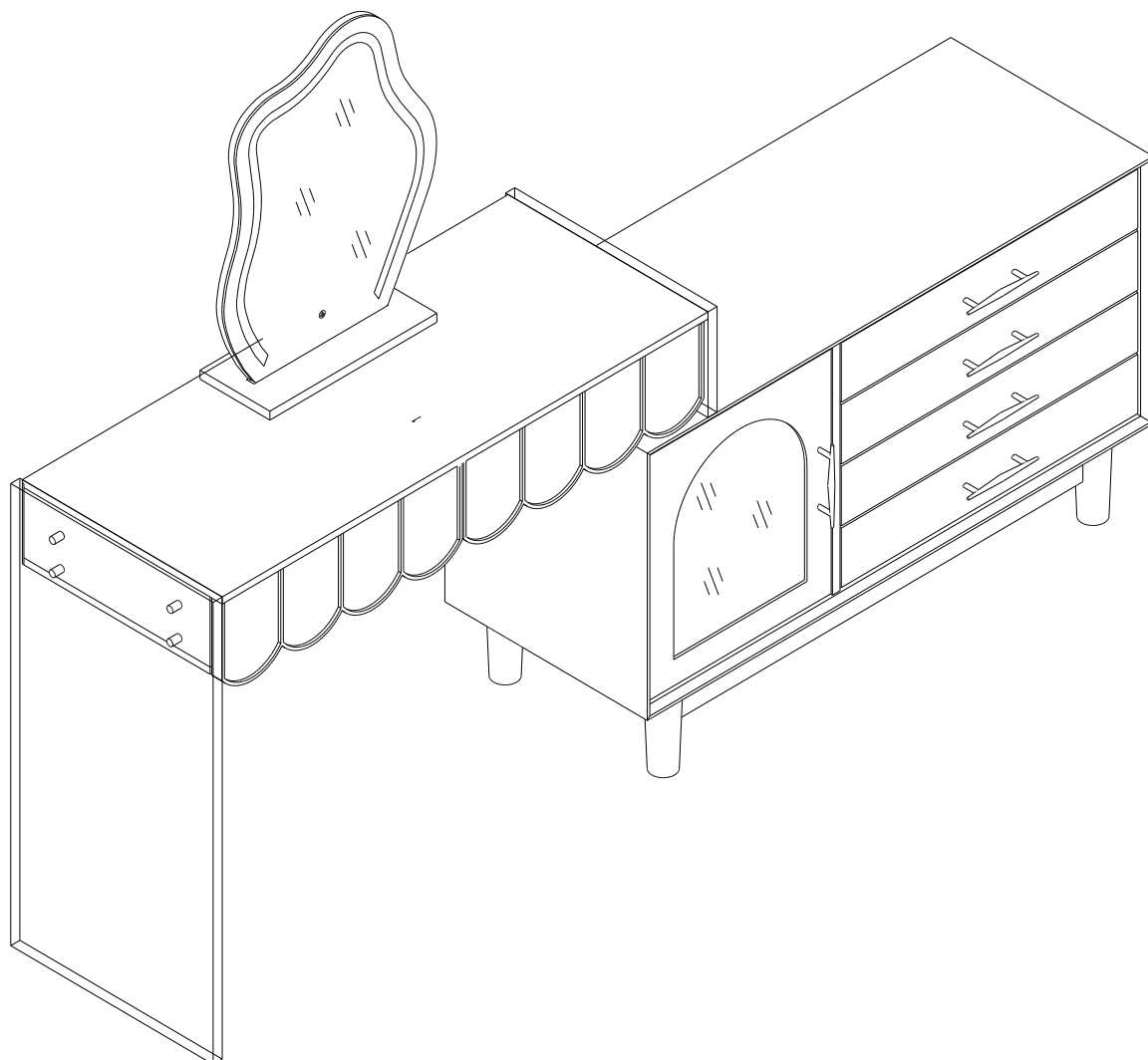


## Extendable Dressing Table with LED Mirror



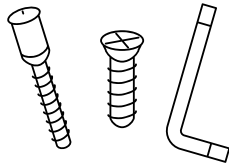
Assembly requires 2 persons

We recommend the use of a power drill on a low-speed setting for quick assembly.



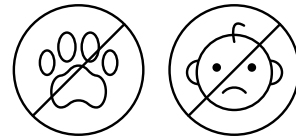
# THANK YOU FOR YOUR PURCHASE!

We hope you enjoy this product as much as we enjoyed making it! We suggest you spend **5 minutes** in reading these tips before assembling the unit. Strictly follow the instructions step by step.



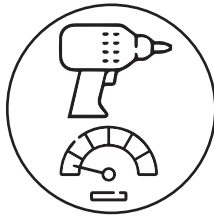
## Tool Check

Check contents to ensure that you have the specified quantity for all identified parts and metal fittings.



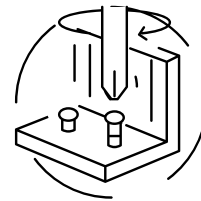
## Safety Check

Keep children and pets away from working area as unit has small parts that are choking hazards if swallowed.



## Use of Power Tool

We recommend the use of a power drill on a low-speed setting for quick assembly.



## Easier Assembly Tip

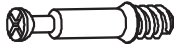
We strongly advise that all fittings be finger-tightened during the initial assembly phase. You may fully tighten them all once assembly is complete.

# HARDWARE LIST

---

Please check if you have all the fittings and tools listed below.

**A**



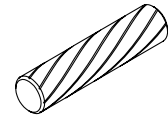
DOWEL PIN  
46 PCS

**B**



3-IN-1 BOLT  
70 PCS

**C**



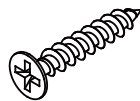
WOODEN DOWEL 6x30mm  
8 PCS

**D**



SCREW 3x12mm  
78 PCS

**E**



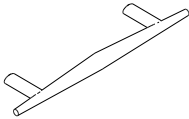
SCREW 4x35mm  
27 PCS

**F**



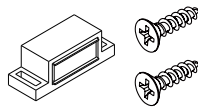
SCREW 4x22mm  
10 PCS

**G**



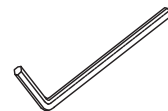
DRAWER HANDLE  
5 PCS

**H**



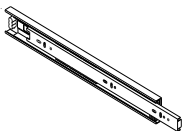
MAGNETIC LOCK  
1 SET

**I**



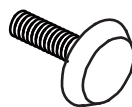
ALLEN KEY M4  
1 PC

**J**



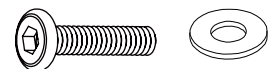
DRAWER SLIDE  
6 PCS

**K**



FOOT PAD  
4 PCS

**L**



SCREW and WASHER  
6x45mm 8 PCS

**M**



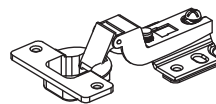
USB CABLE  
1 PC

**N**



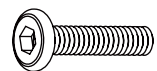
SCREW 3.5x14mm  
12 PCS

**O**



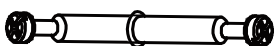
HINGE  
2 PCS

**P**



SCREW 8x30mm  
8 PCS

**Q**



CONNECTOR ROD  
12 PCS

**R**

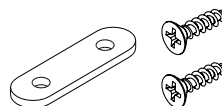
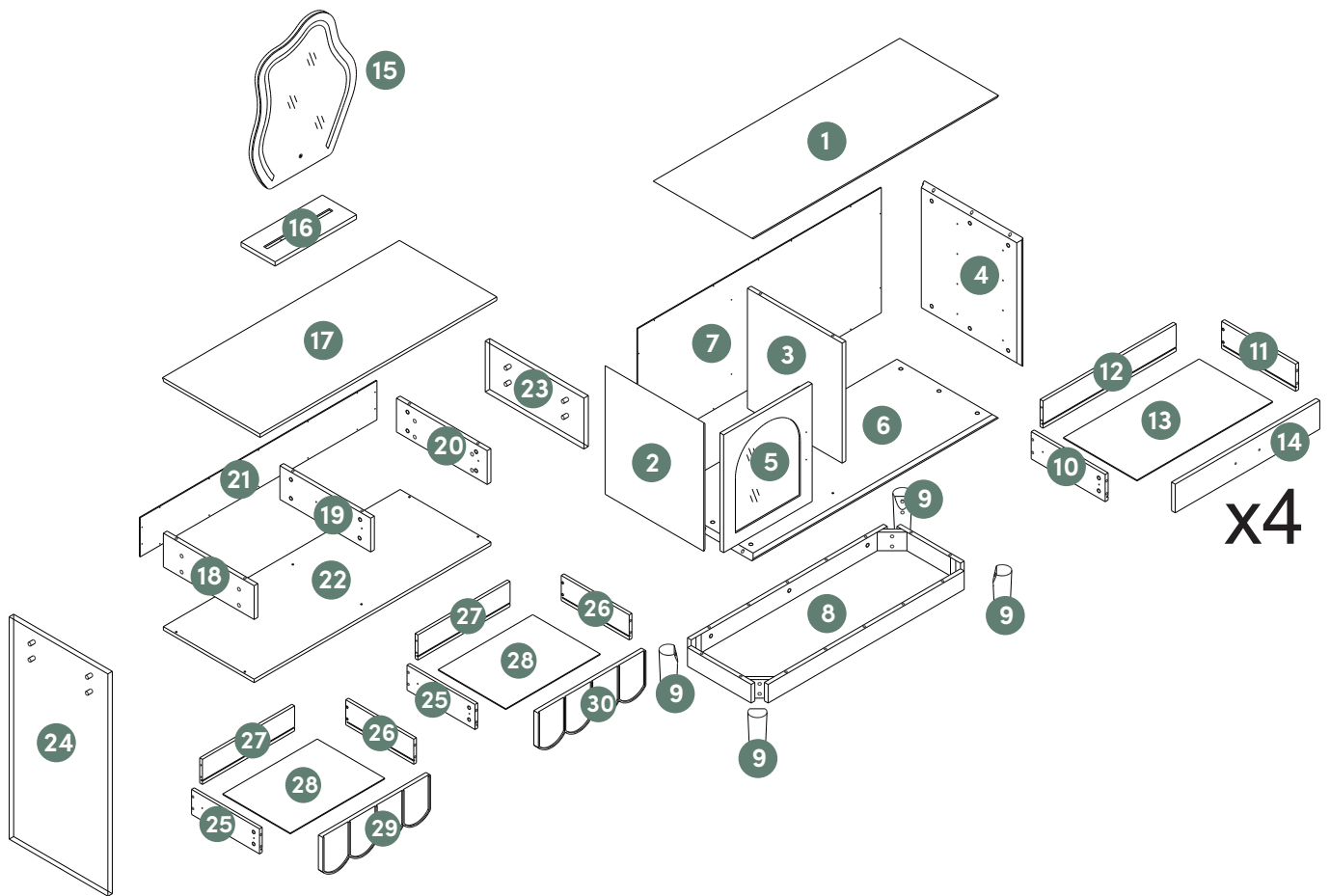


PLATE and SCREW 3x12mm  
1 SET

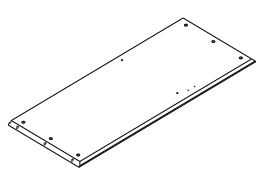
**S**



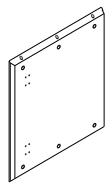
ALLEN KEY M5  
1 PC



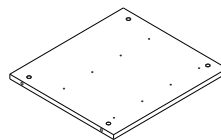
## PARTS LIST



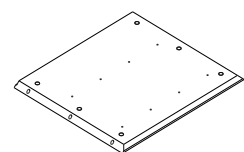
**1** x1  
1000x400x15mm



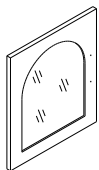
**2** x1  
450x400x15mm



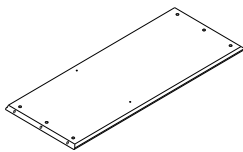
**3** x1  
420x384x15mm



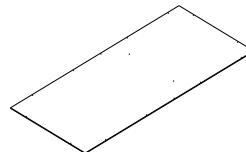
**4** x1  
450x400x15mm



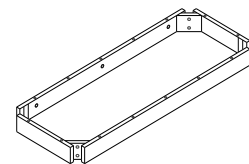
**5** x1  
414x356x18mm



**6** x1  
1000x400x15mm



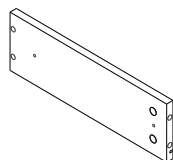
**7** x1  
988x438x3mm



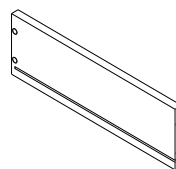
**8** x1  
873x333x65mm



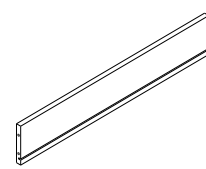
**9** x4  
140x50x42mm



**10** x4  
300x101x12mm



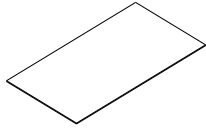
**11** x4  
300x101x12mm



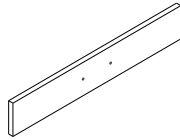
**12** x4  
543x101x12mm

# PARTS LIST

---



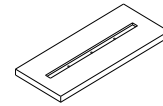
**13** x4  
550x296x3mm



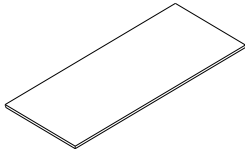
**14** x4  
588x101x15mm



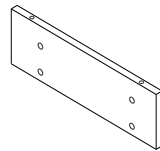
**15** x1  
520x420x15mm



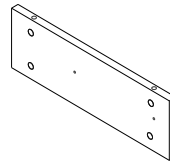
**16** x1  
332x140x15mm



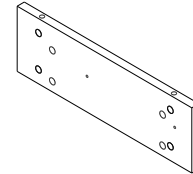
**17** x1  
961x395x12mm



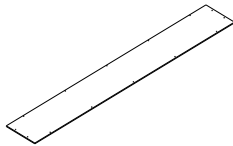
**18** x1  
370x120x15mm



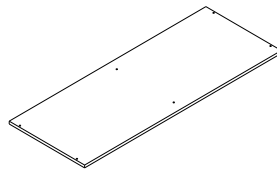
**19** x1  
370x120x15mm



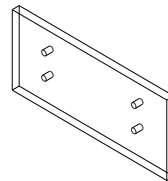
**20** x1  
370x120x15mm



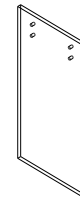
**21** x1  
960x140x3mm



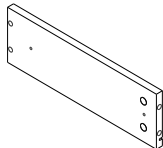
**22** x1  
961x370x12mm



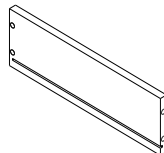
**23** x1  
400x178x18mm



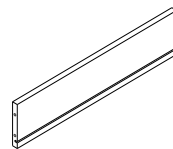
**24** x1  
780x400x18mm



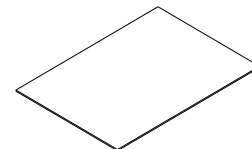
**25** x2  
300x110x12mm



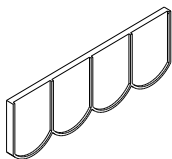
**26** x2  
300x110x12mm



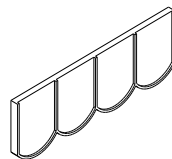
**27** x2  
408x110x12mm



**28** x2  
417x296x3mm



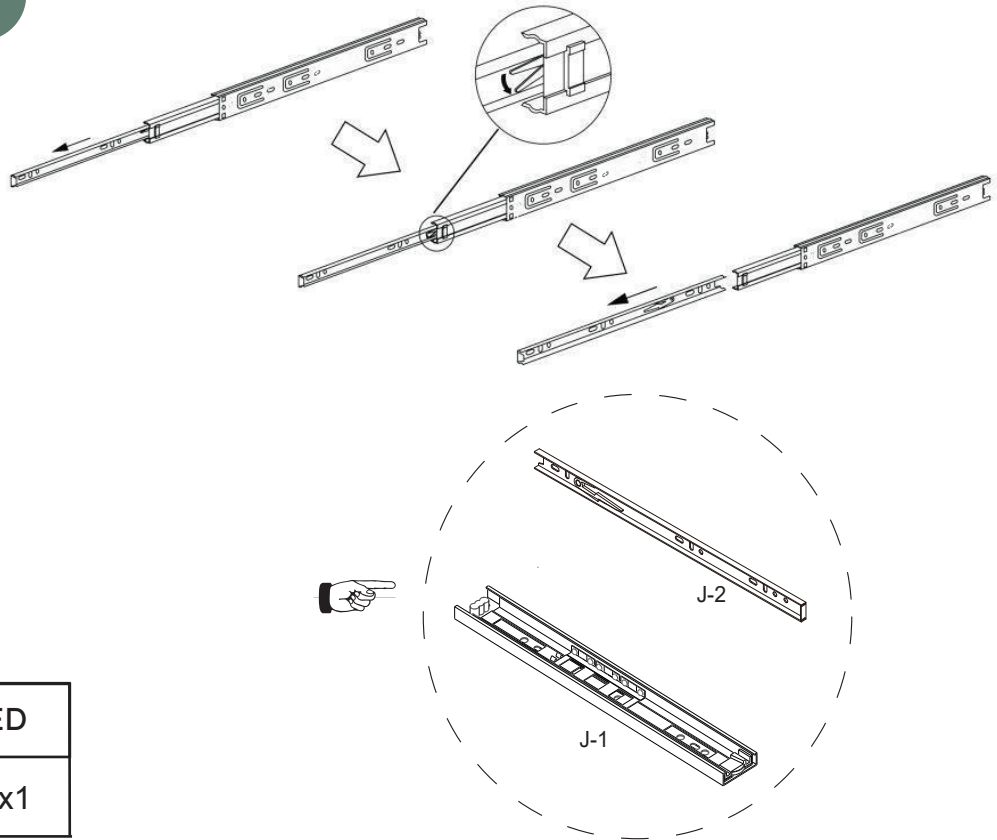
**29** x1  
478x151x15mm



**30** x1  
478x151x15mm

Hardware disassembly example

**STEP 1**



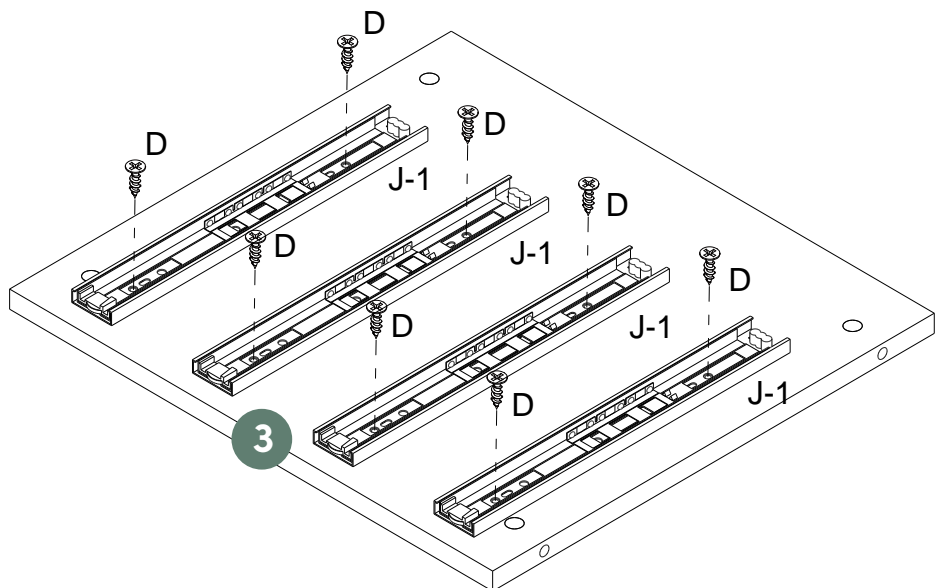
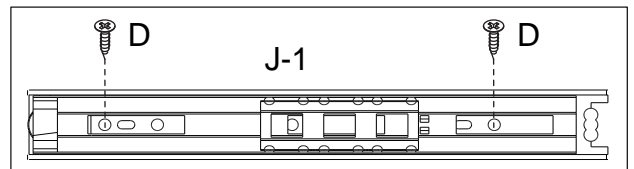
YOU WILL NEED

J



x1

**STEP 2**



YOU WILL NEED

D



x8

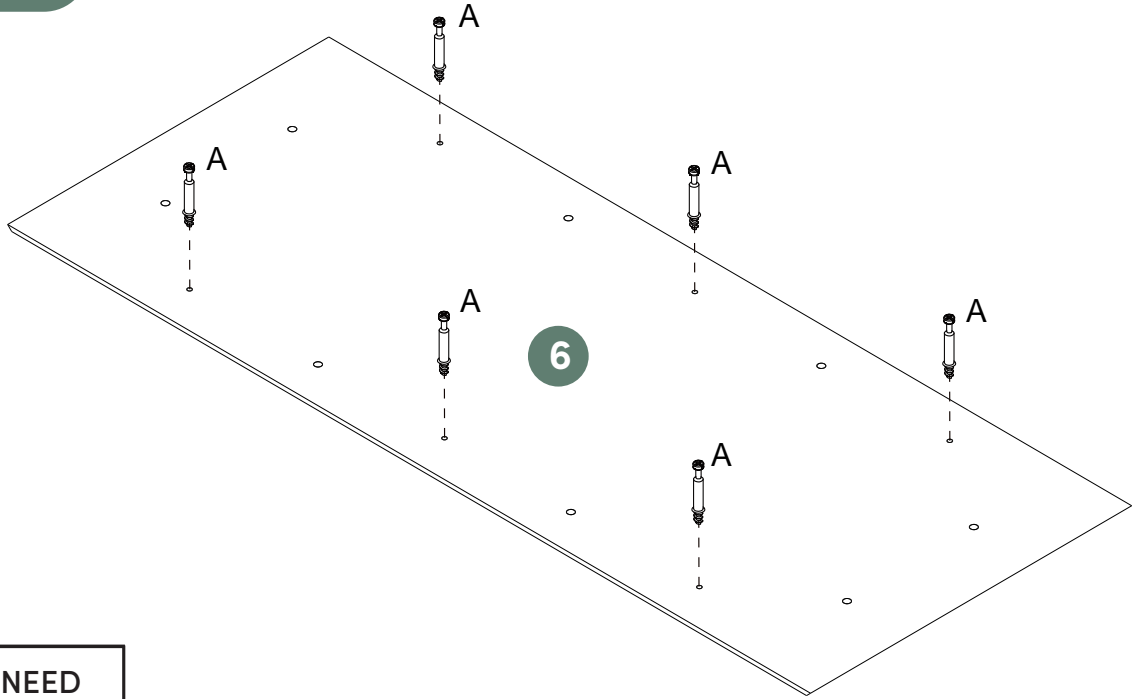
J



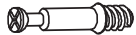
x4

**ASSEMBLY STEPS**

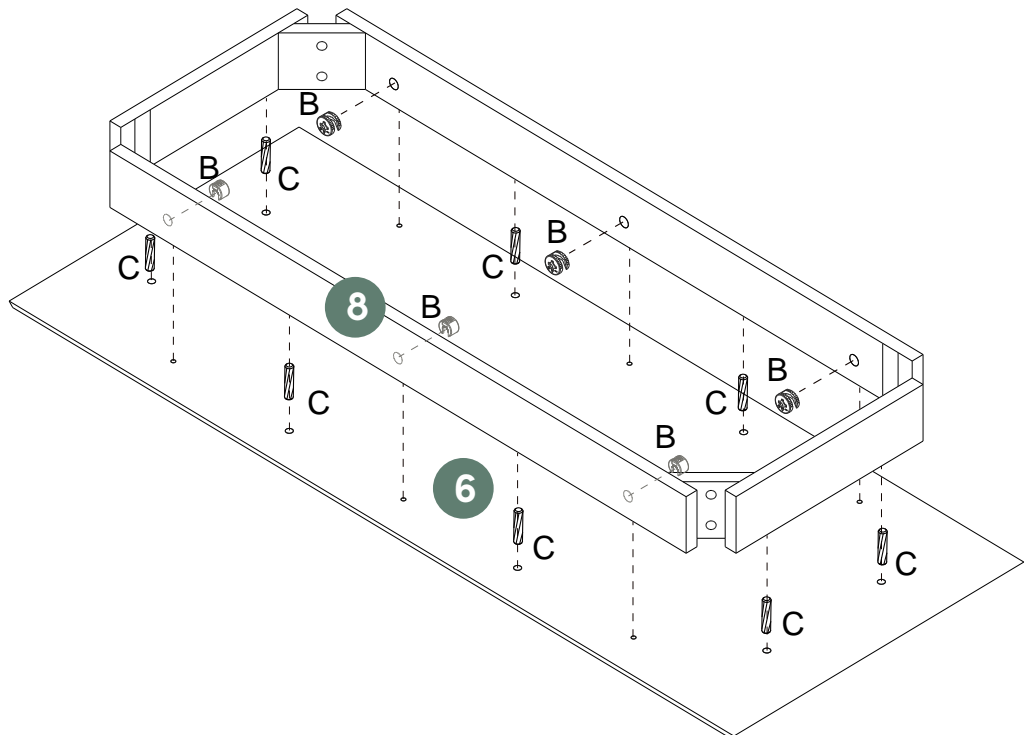
### STEP 3



#### YOU WILL NEED

<b>A</b>	 x6
----------	--

### STEP 4

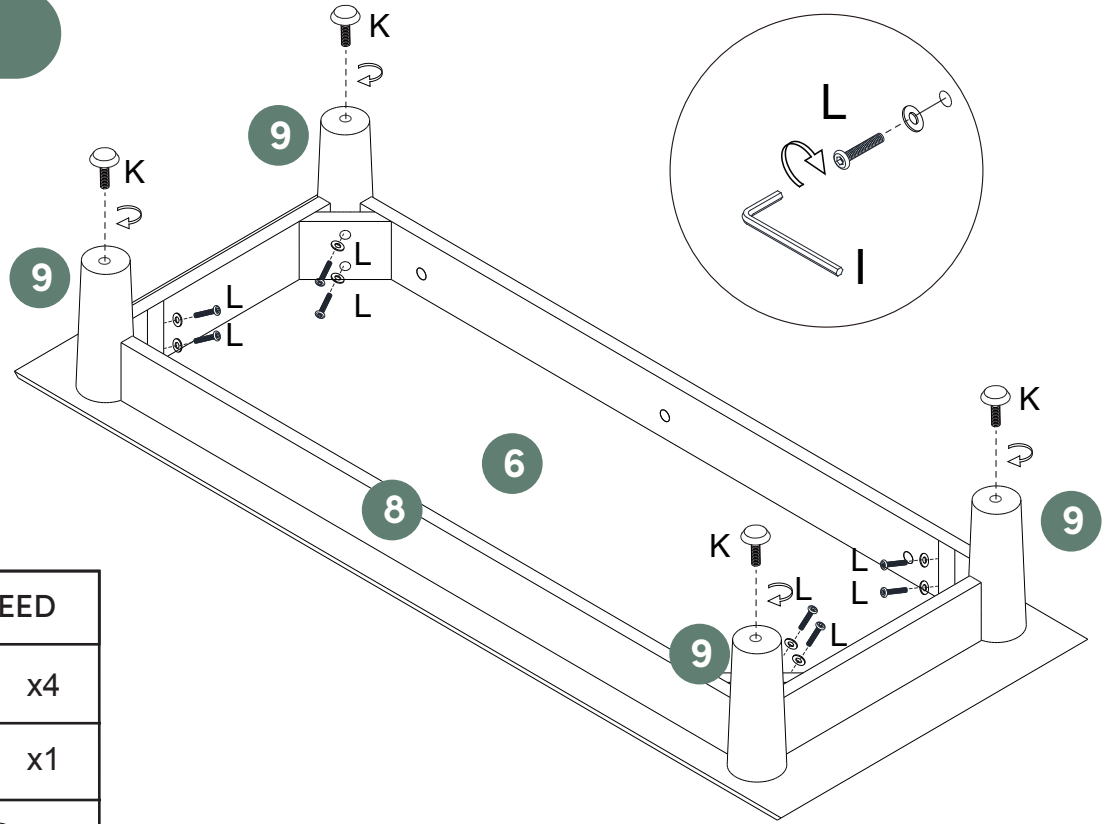






#### YOU WILL NEED

<b>B</b>	 x6
----------	--

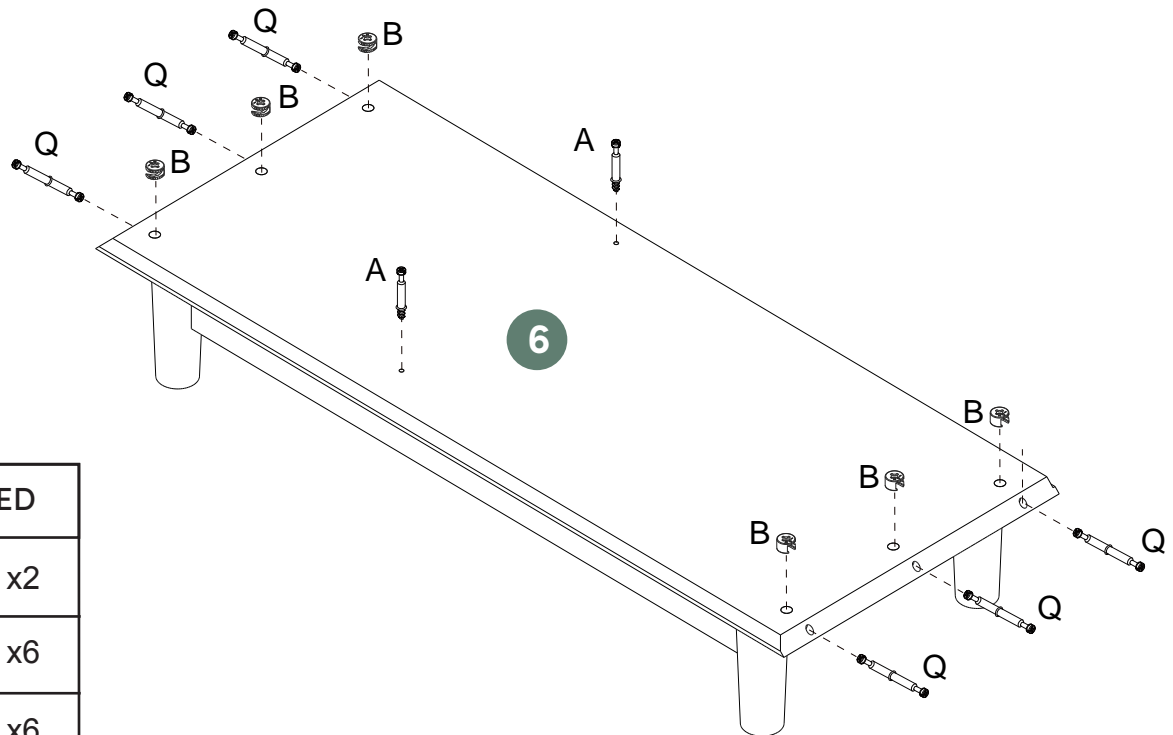
<b>C</b>	 x8
----------	--



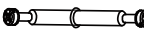
## STEP 5



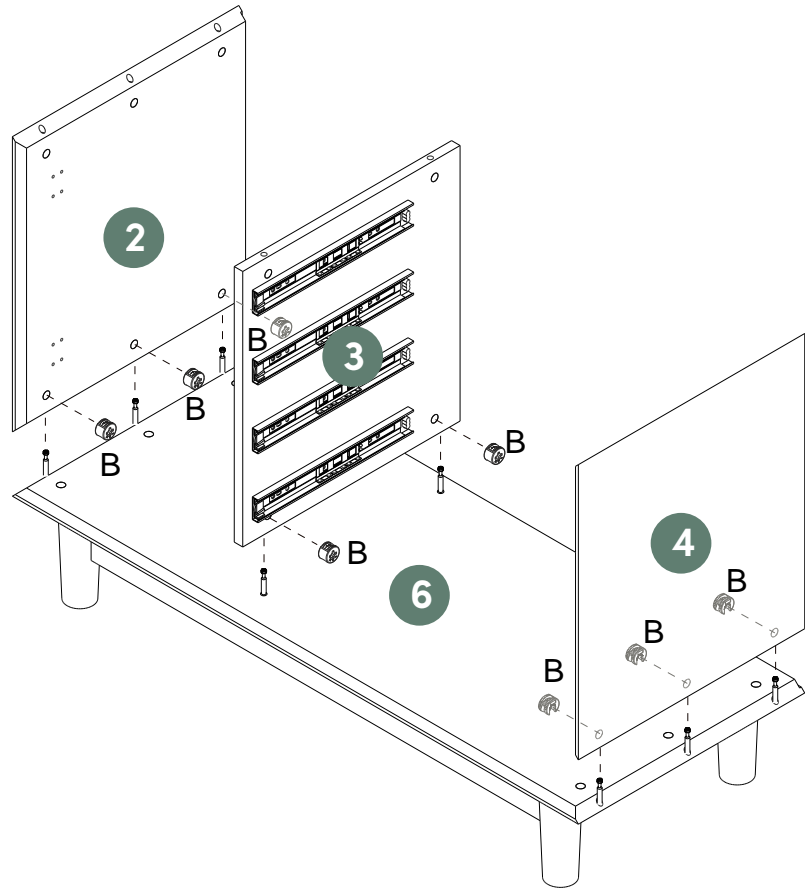
YOU WILL NEED		
K		x4
I		x1
L	 	x8

## STEP 6



YOU WILL NEED		
A		x2
B		x6
Q		x6

## STEP 7



### YOU WILL NEED

B



x8

## STEP 8

### YOU WILL NEED

A



x2

B



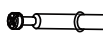
x6

H

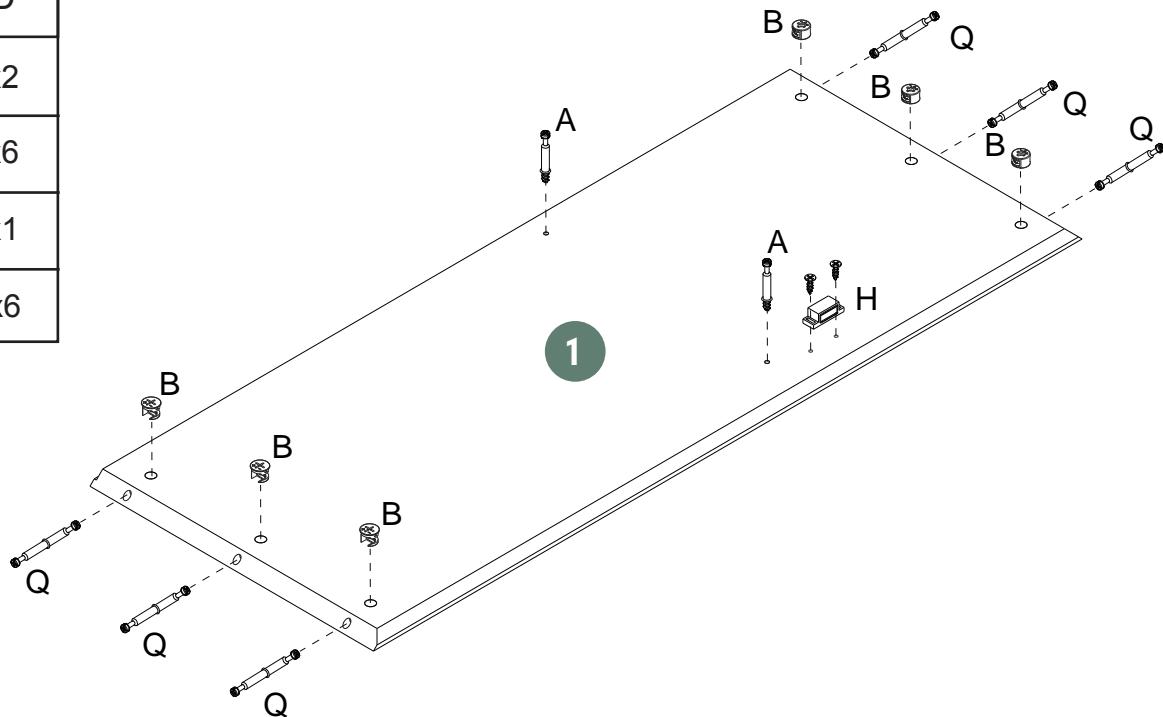


x1

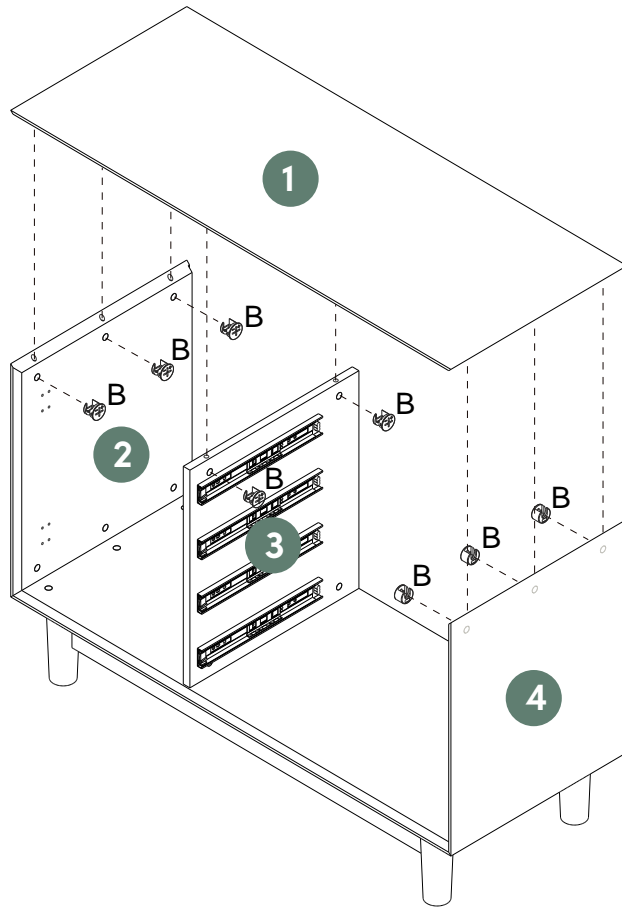
Q



x6



## STEP 9



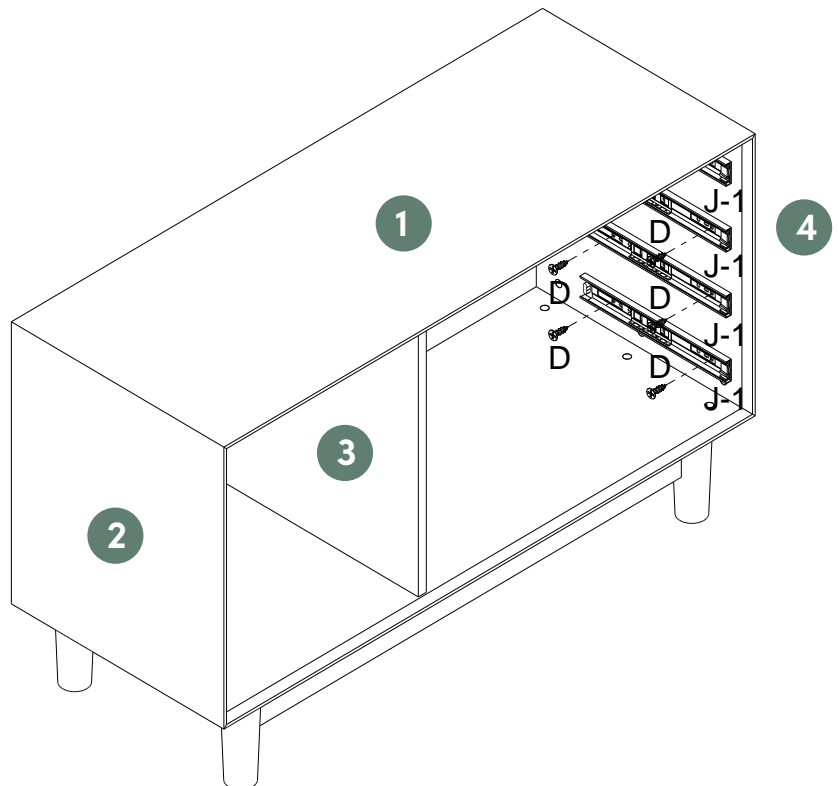
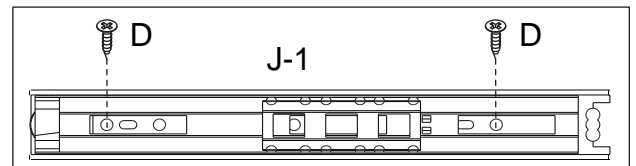
### YOU WILL NEED

B



x8

## STEP 10



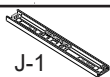
### YOU WILL NEED

D



x8

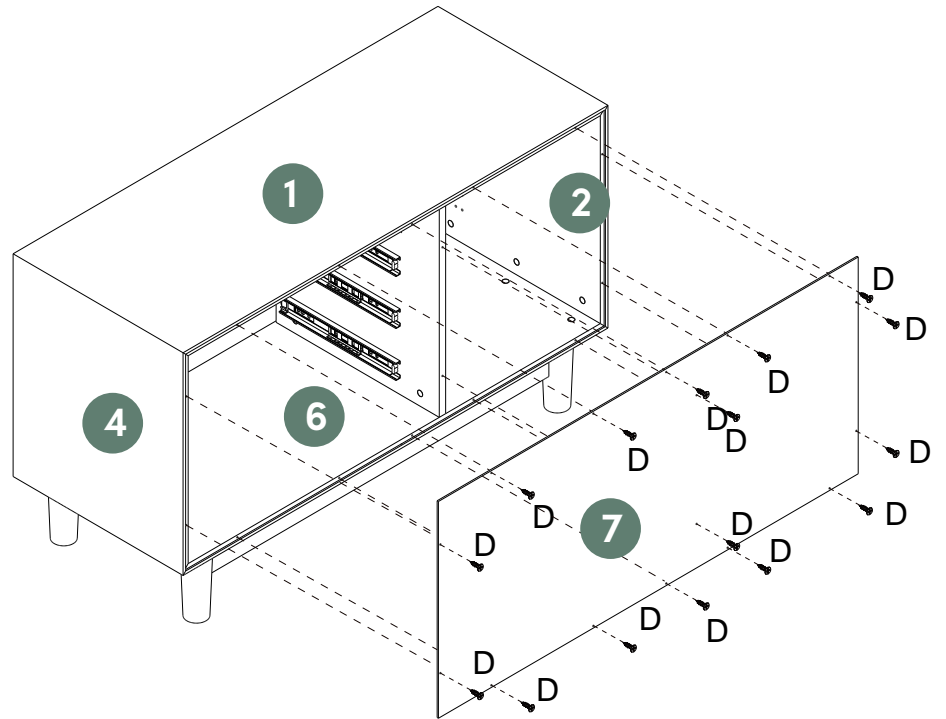
J



x4

## ASSEMBLY STEPS

## STEP 11



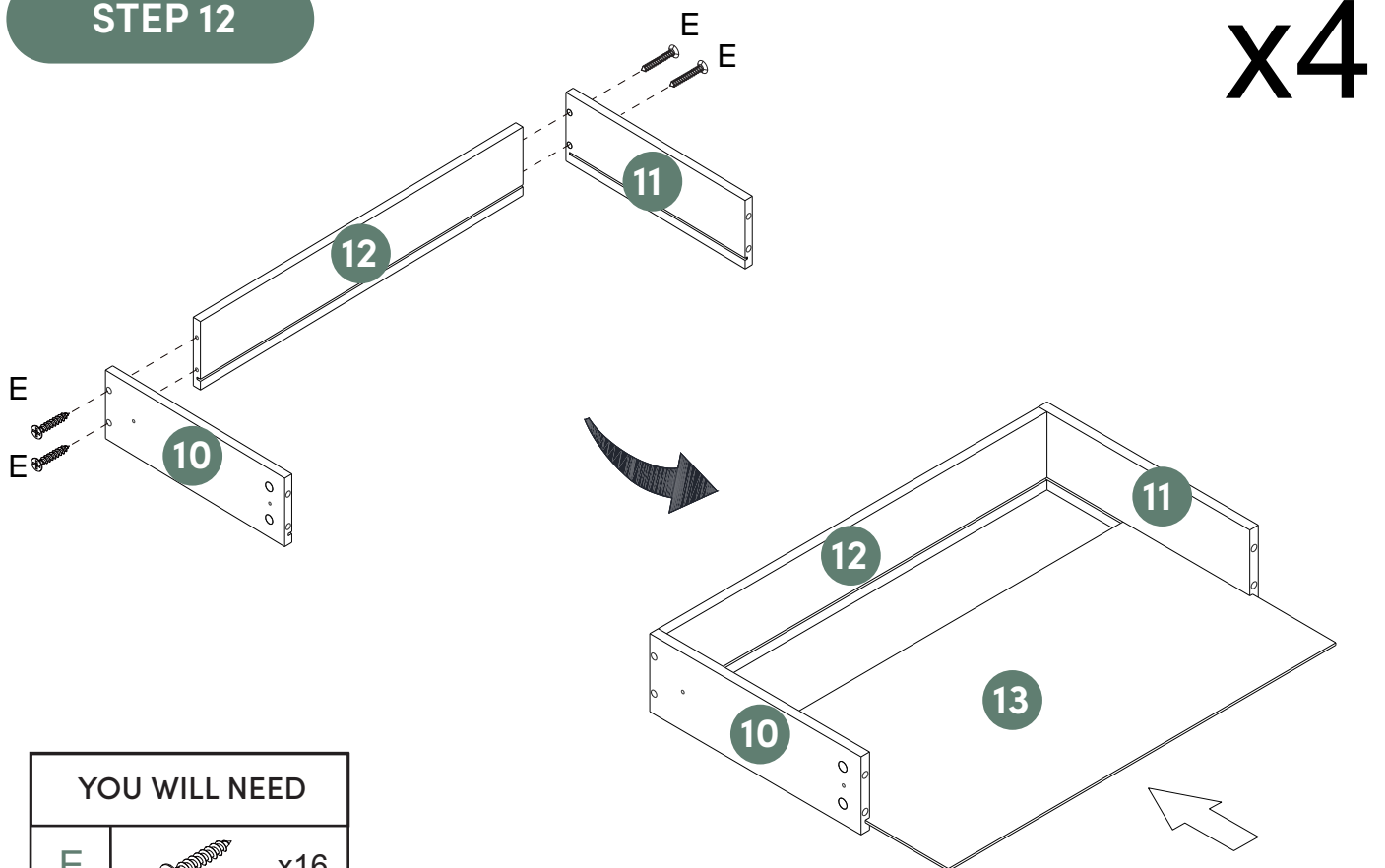
### YOU WILL NEED

D



x16

## STEP 12



### YOU WILL NEED

E

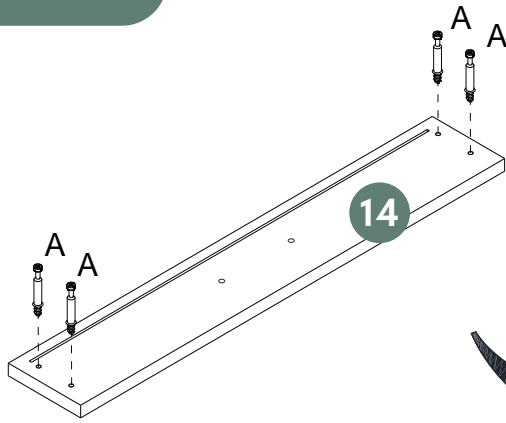


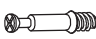


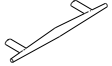
x16

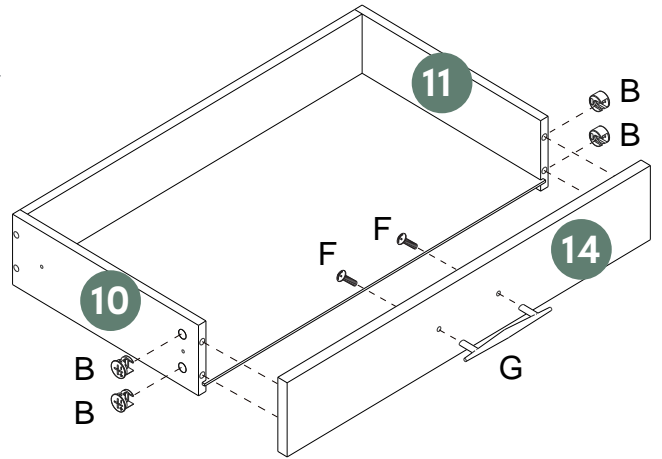
## ASSEMBLY STEPS

# STEP 13

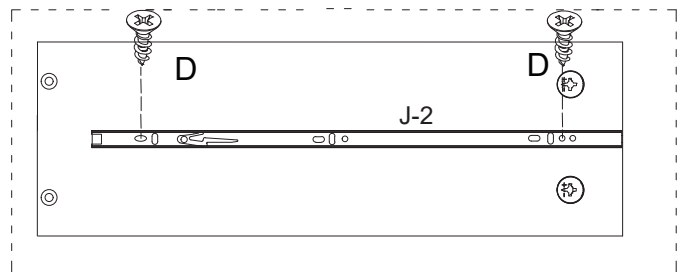
x4





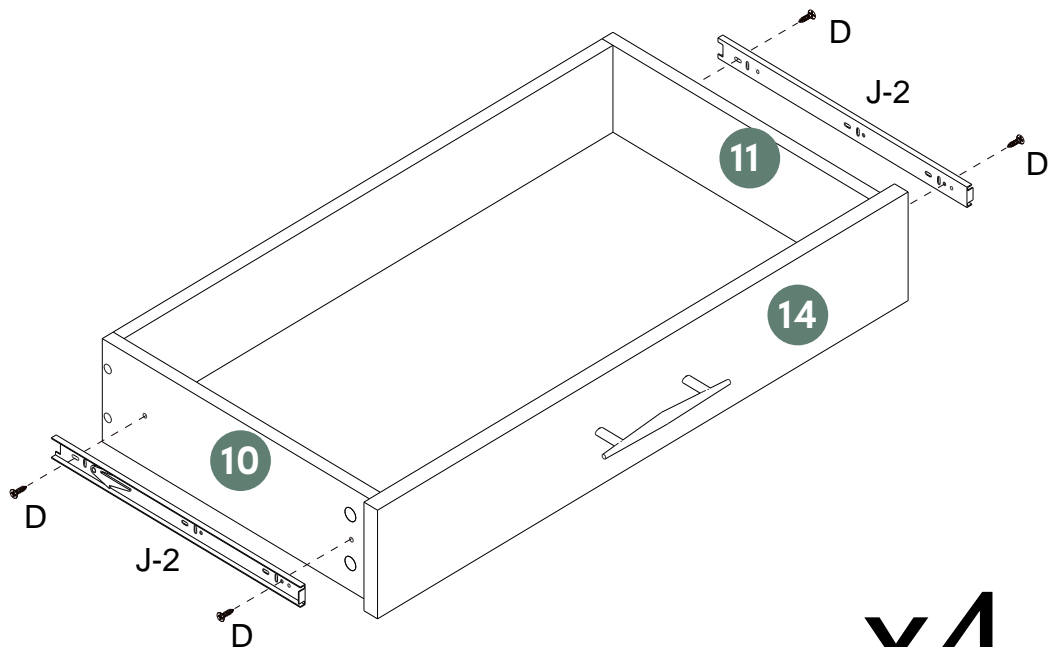
YOU WILL NEED	
A	 x16
B	 x16
F	 x8
G	 x4



# STEP 14



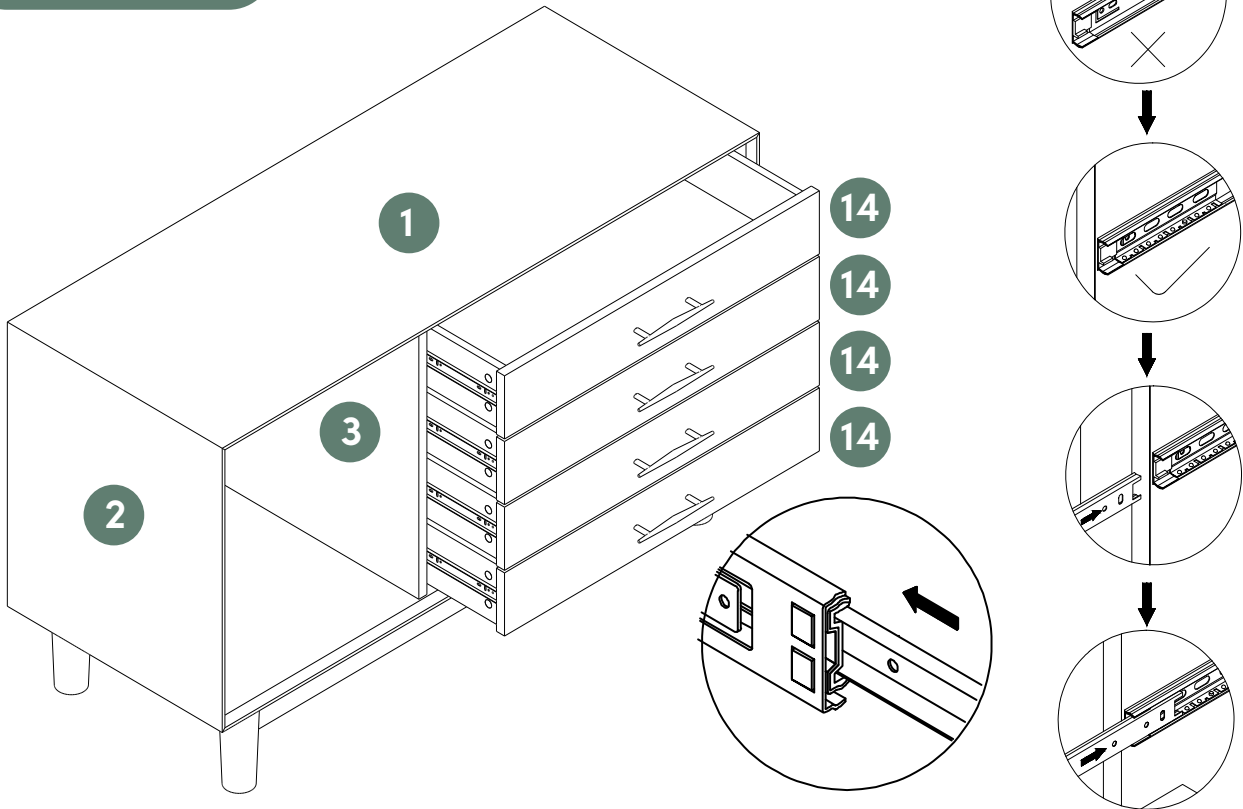
YOU WILL NEED	
D	 x16
J	 x8



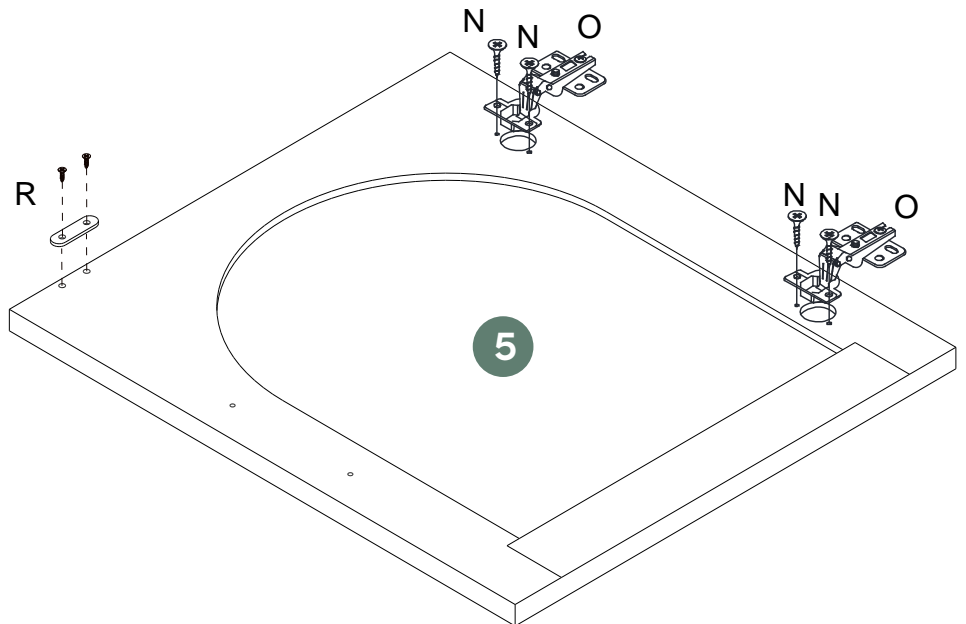
x4

## ASSEMBLY STEPS





## STEP 15



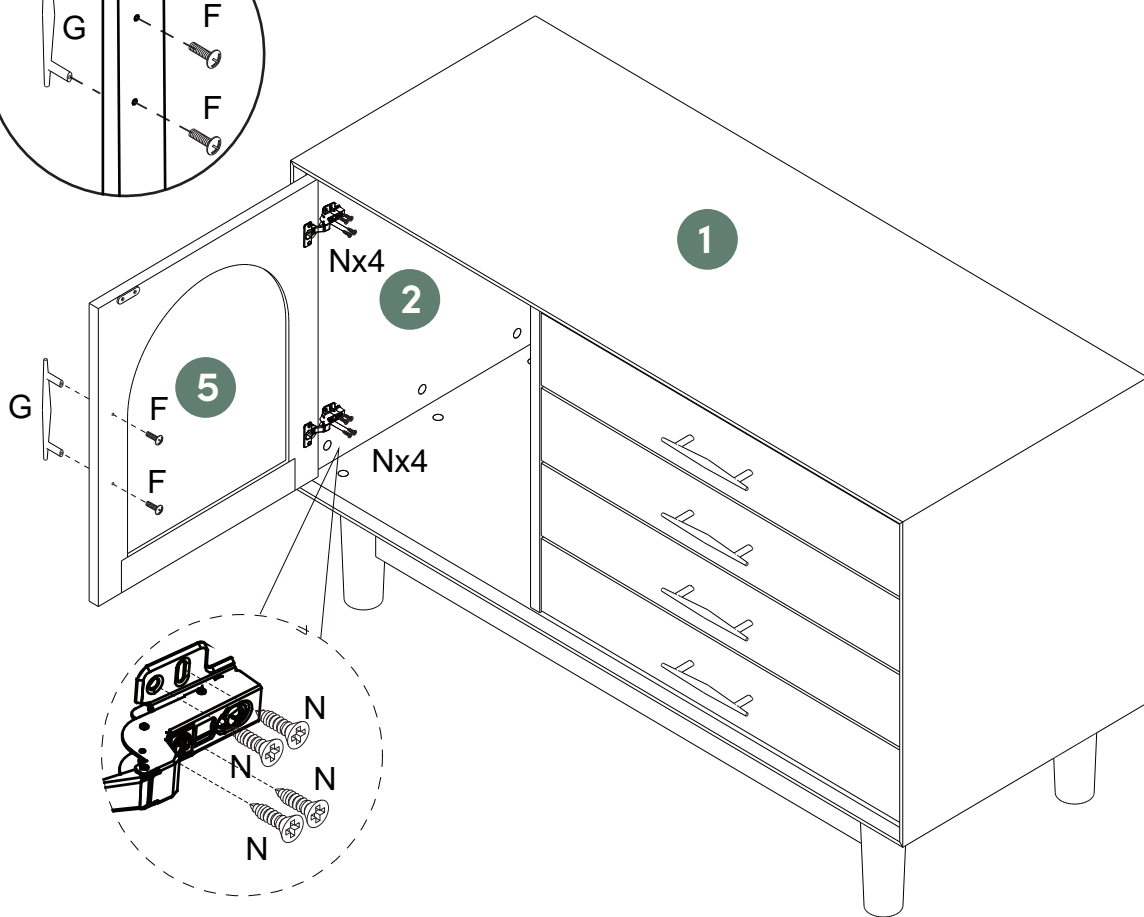
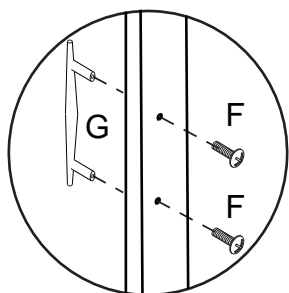
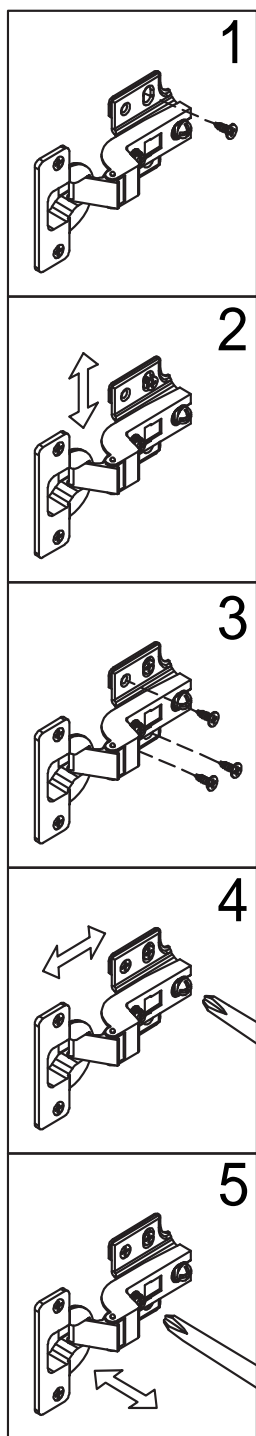
## STEP 16

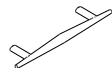




### YOU WILL NEED

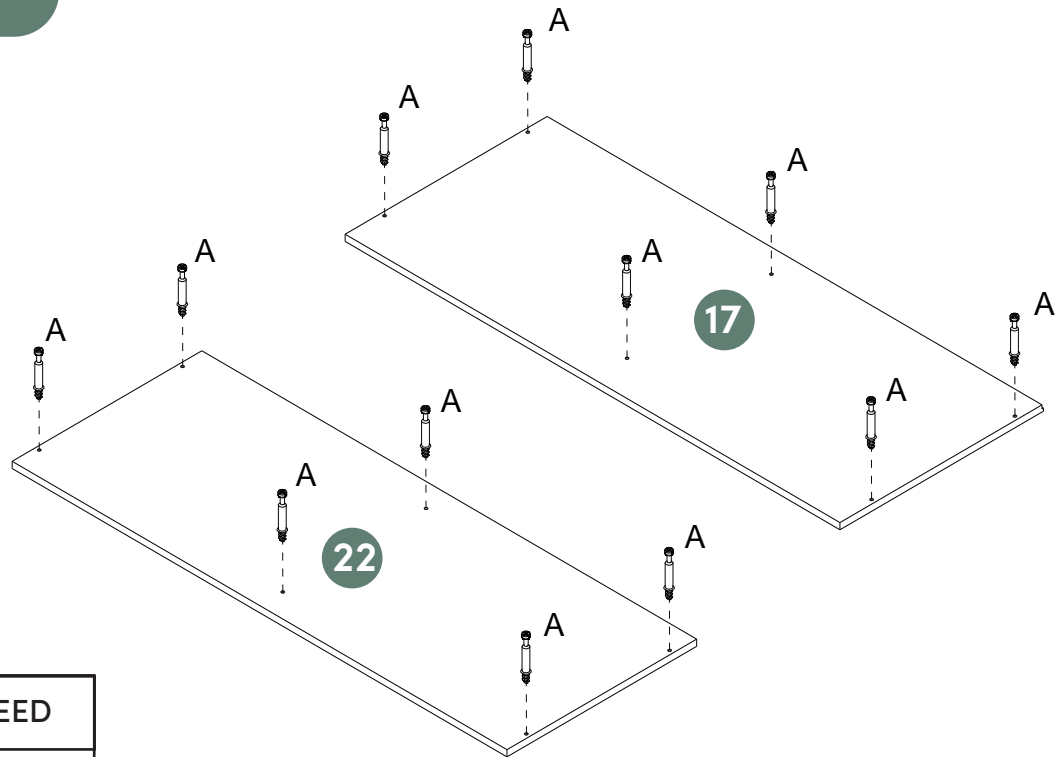
R	  x1
N	 x4
O	 x2

# STEP 17



YOU WILL NEED		
G		x1
N		x8
F		x2

## STEP 18



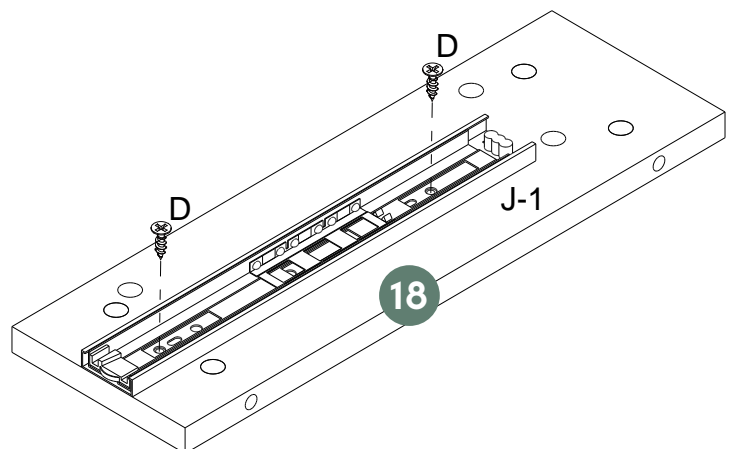
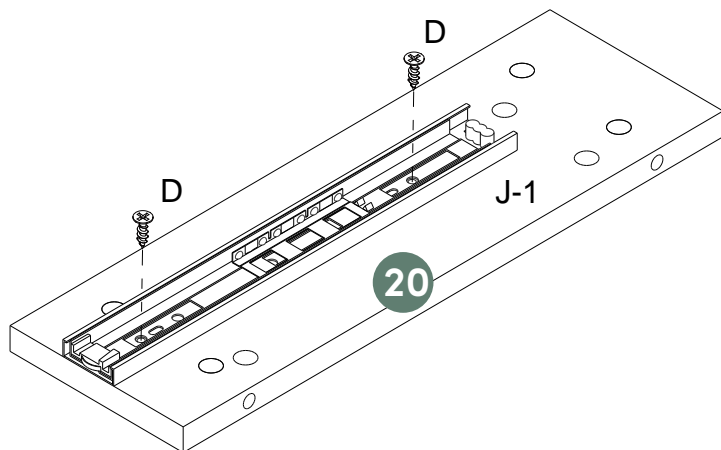
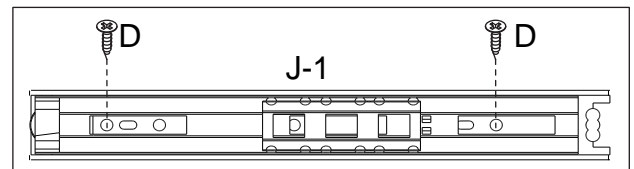
### YOU WILL NEED

A



x12

## STEP 19



### YOU WILL NEED

D



x4

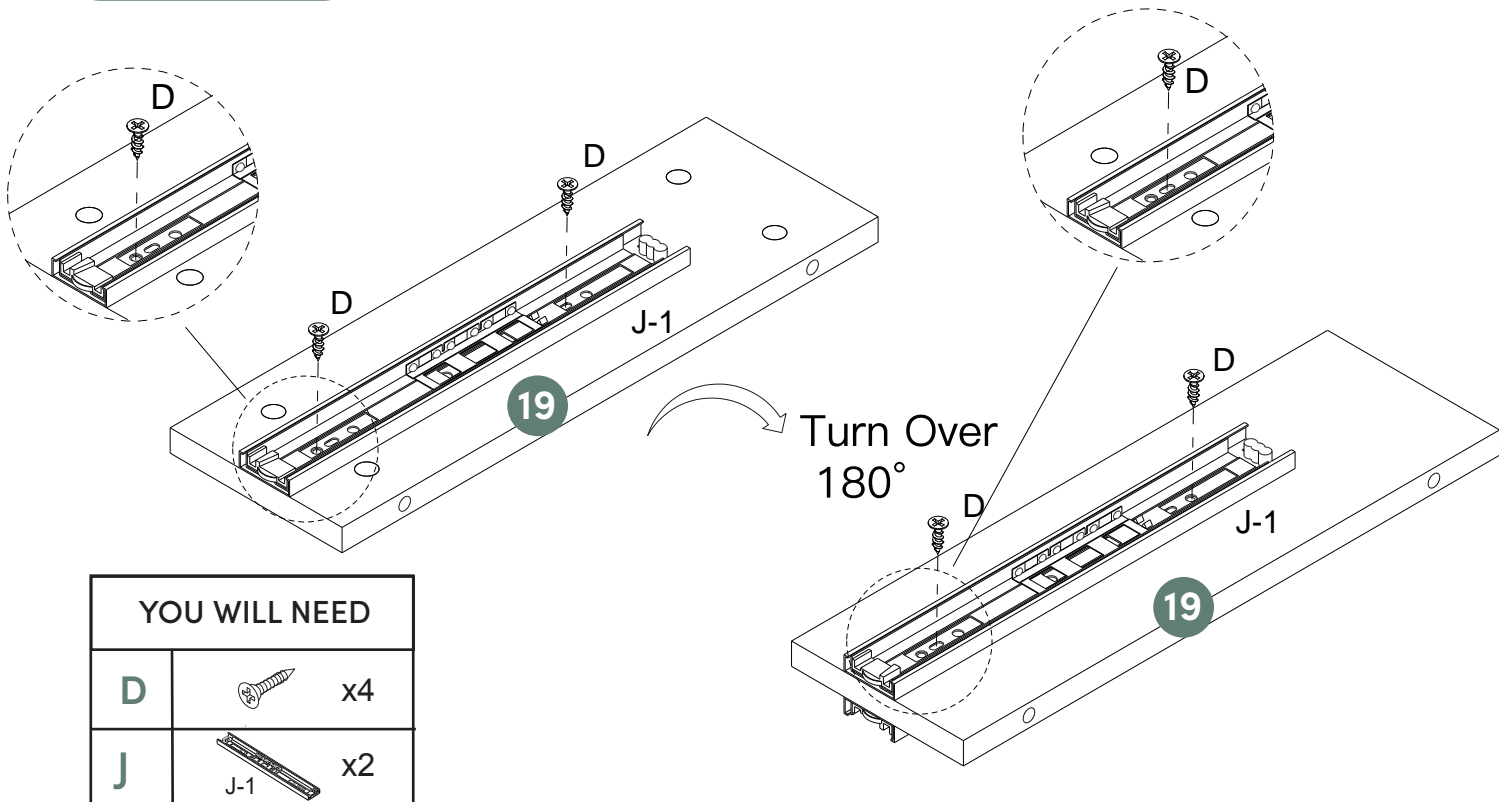
J



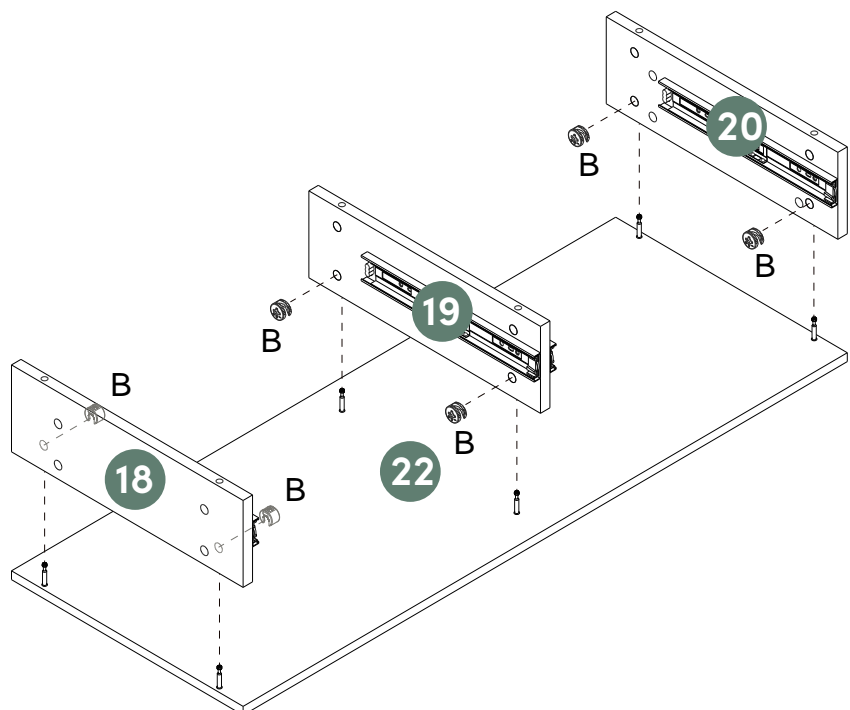
x2


## ASSEMBLY STEPS

## STEP 20

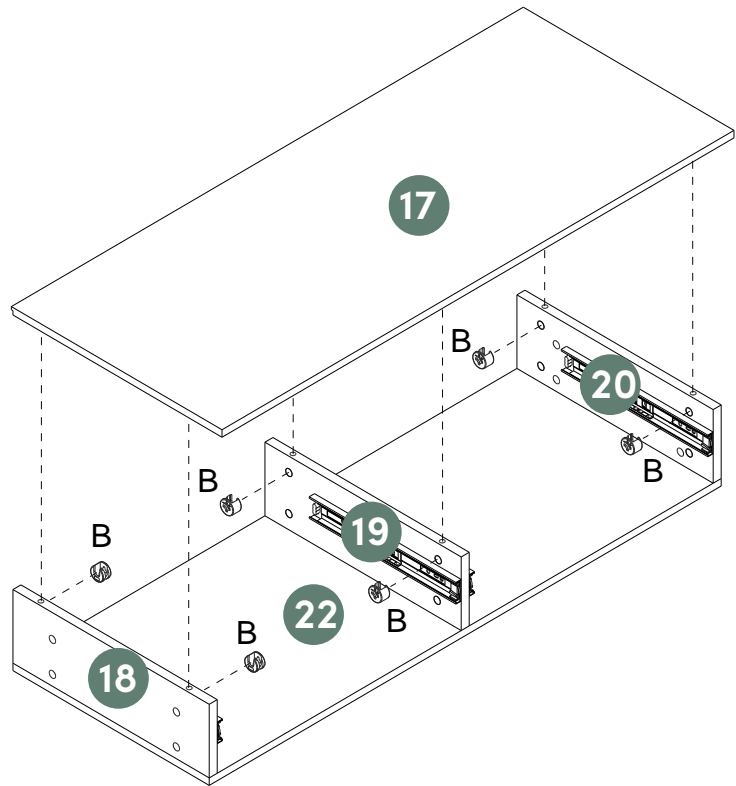


## STEP 21



YOU WILL NEED		
B		x6

## STEP 22



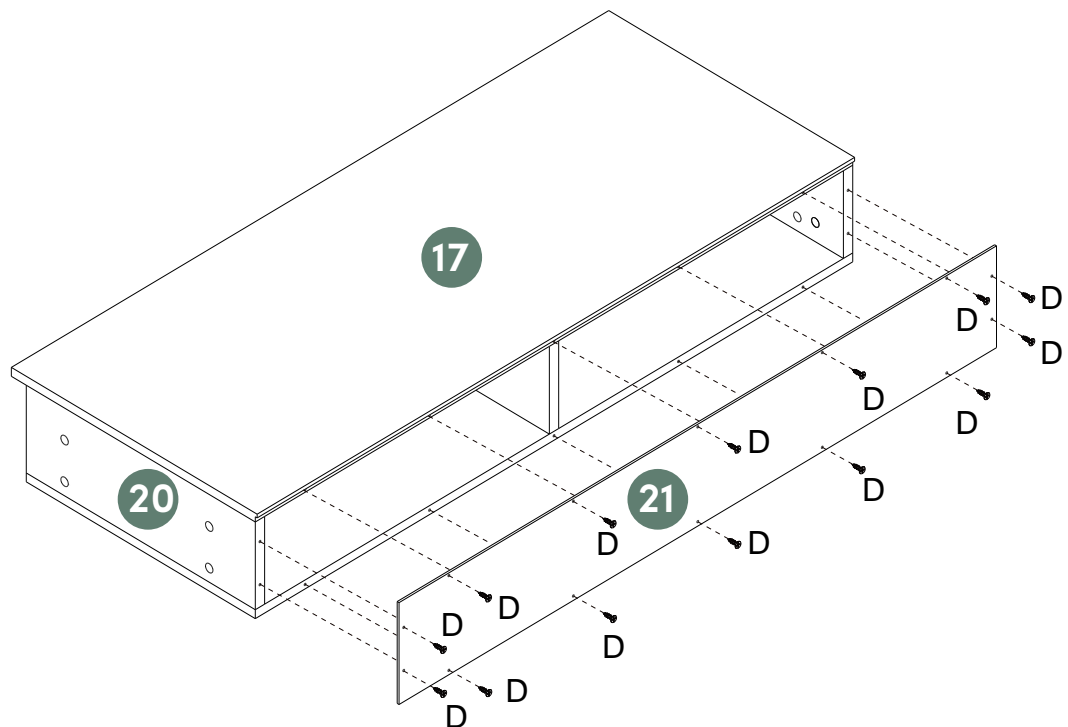
### YOU WILL NEED

B



x6

## STEP 23



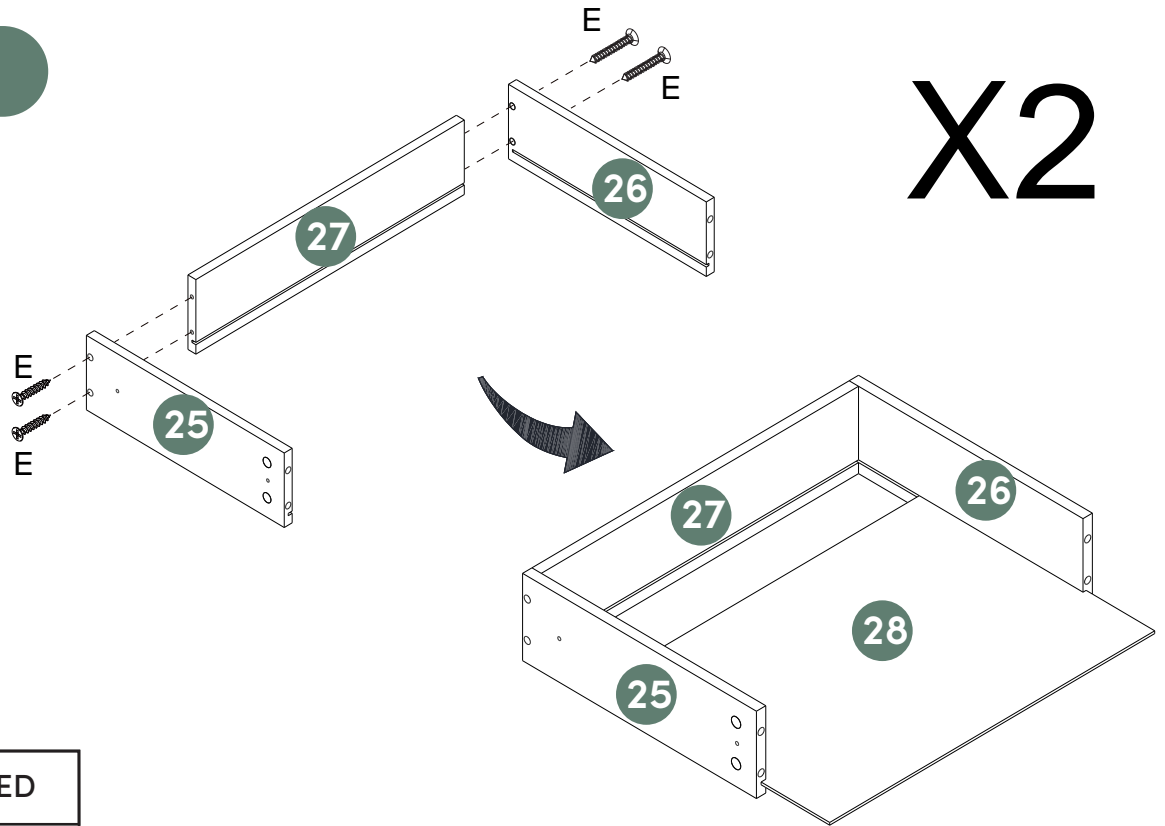
### YOU WILL NEED

D



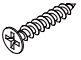
x14

## STEP 24

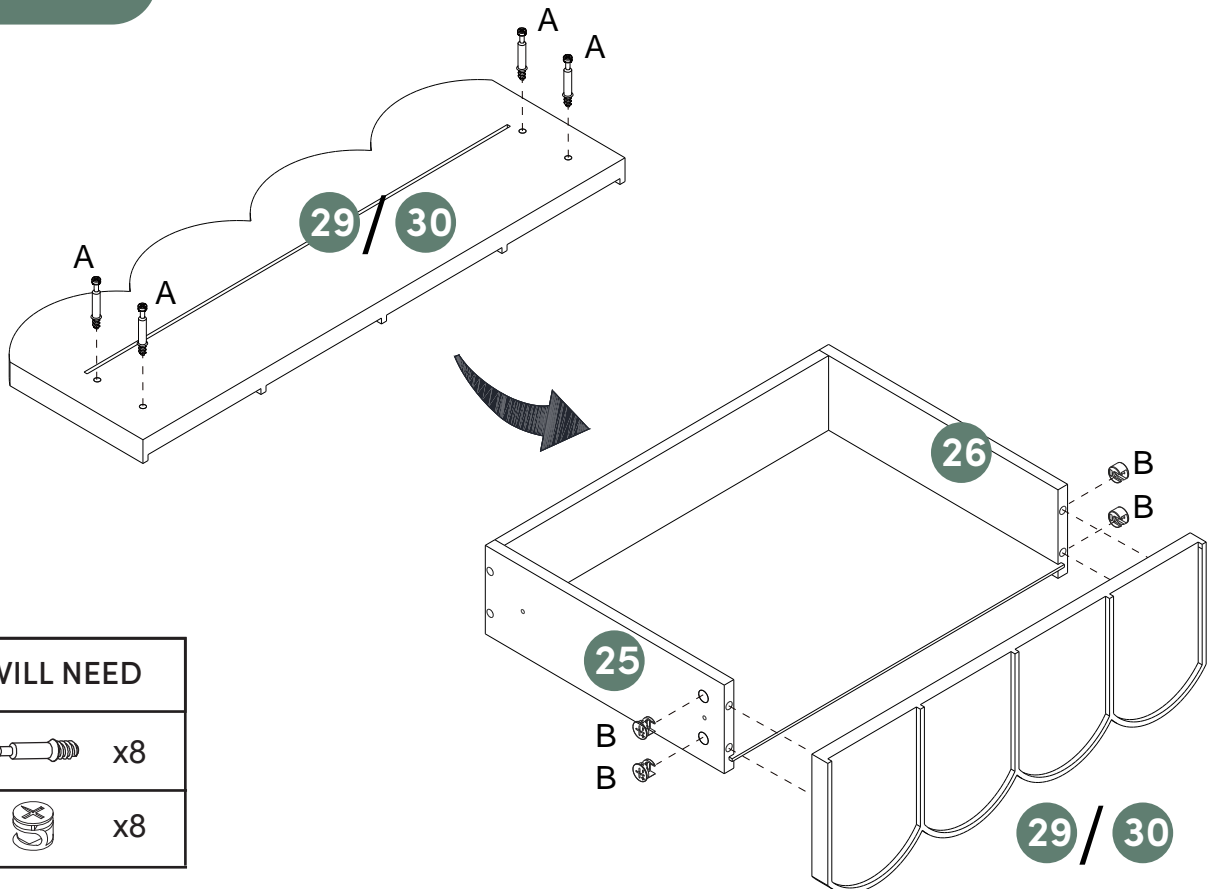


X2

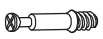

### YOU WILL NEED

E	 x8
---	--

## STEP 25

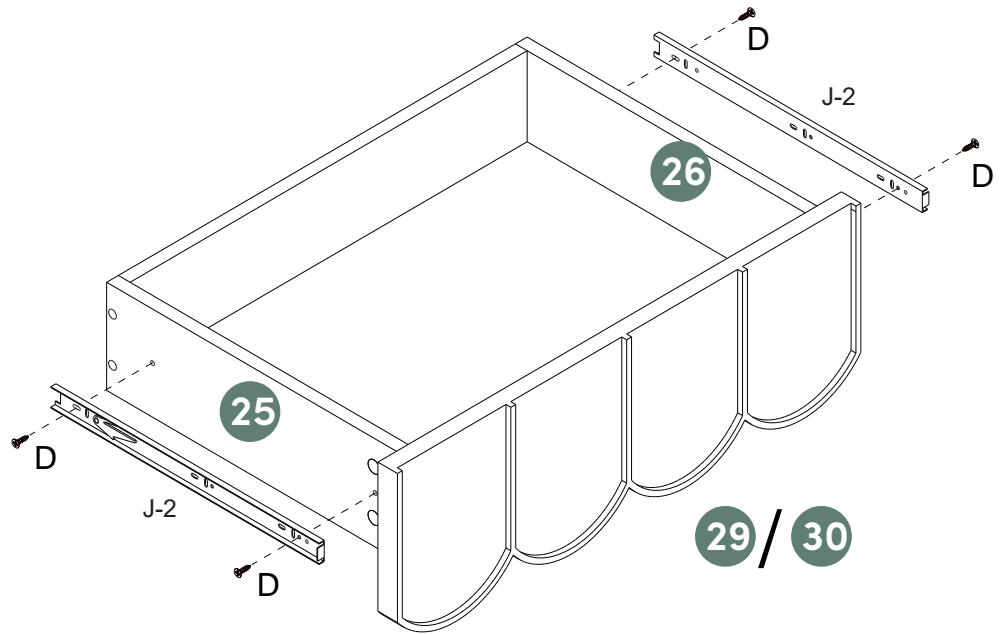
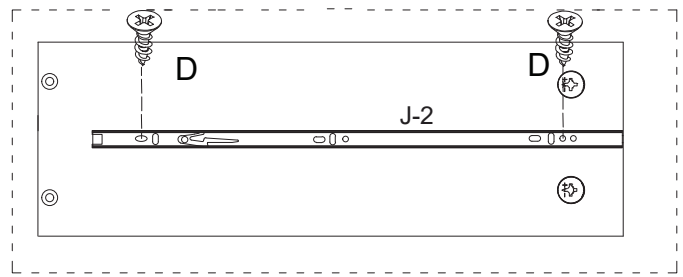




### YOU WILL NEED

A	 x8
B	 x8

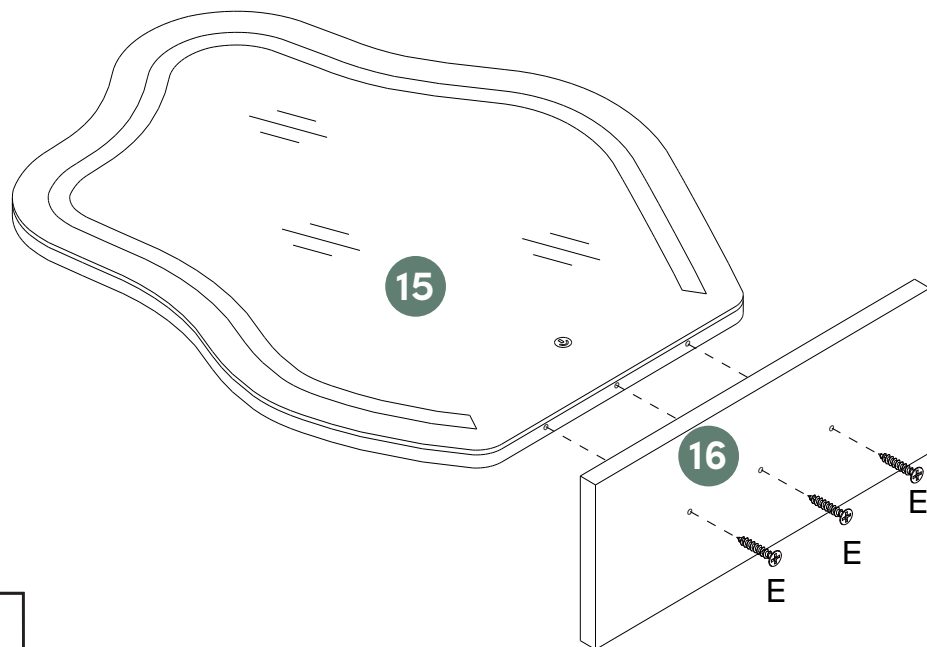
## ASSEMBLY STEPS

## STEP 26



YOU WILL NEED		
D		x8
J		x4

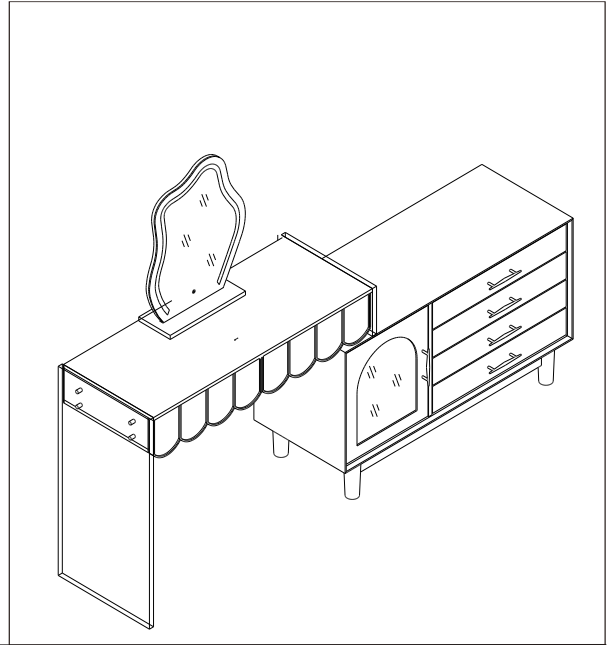
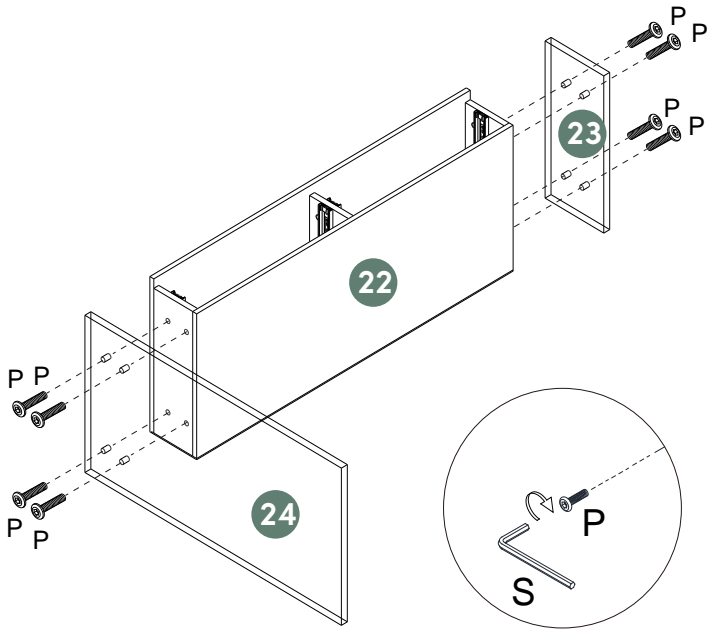
## STEP 27





YOU WILL NEED		
E		x3

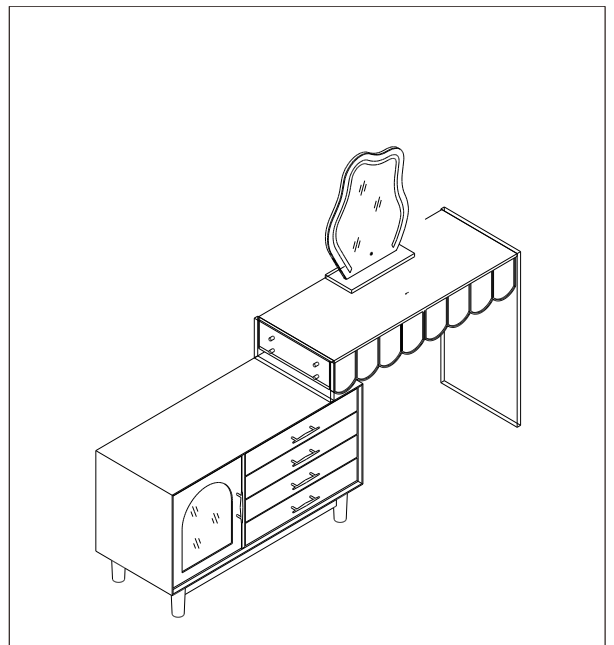
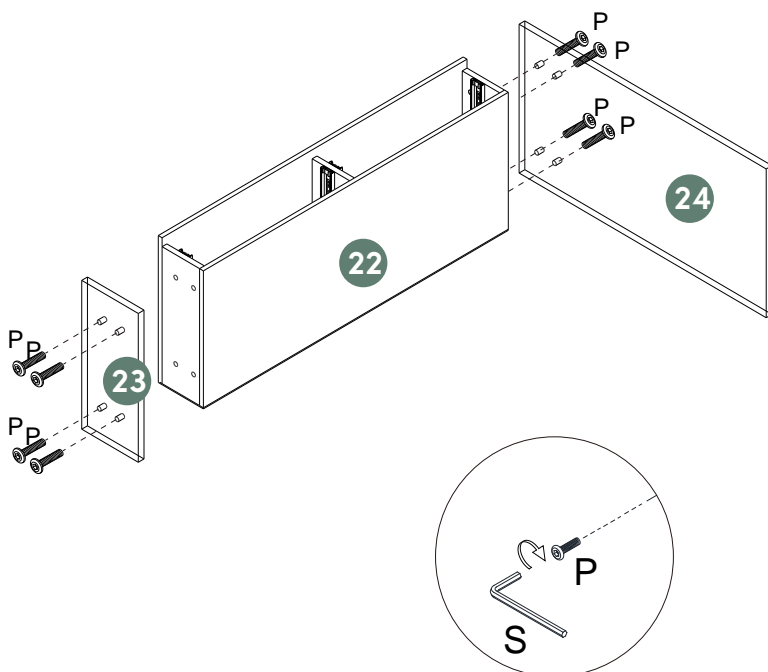
# ASSEMBLY STEPS

# STEP 28



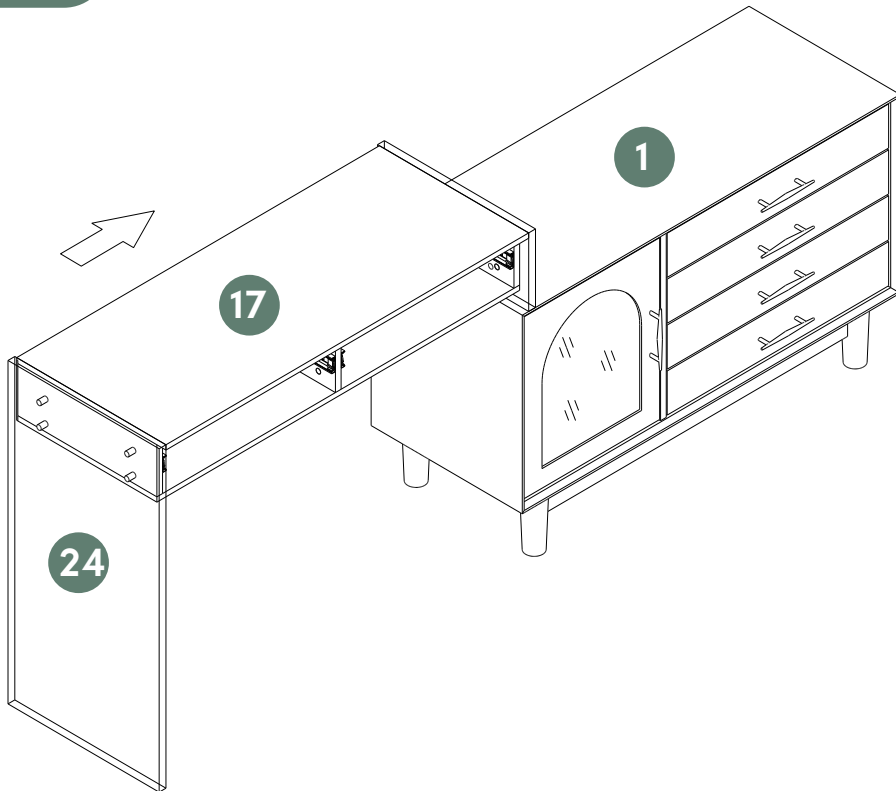
YOU WILL NEED	
P	 x8
S	 x1

OR

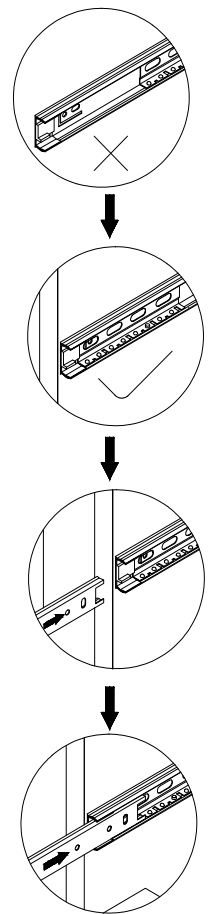
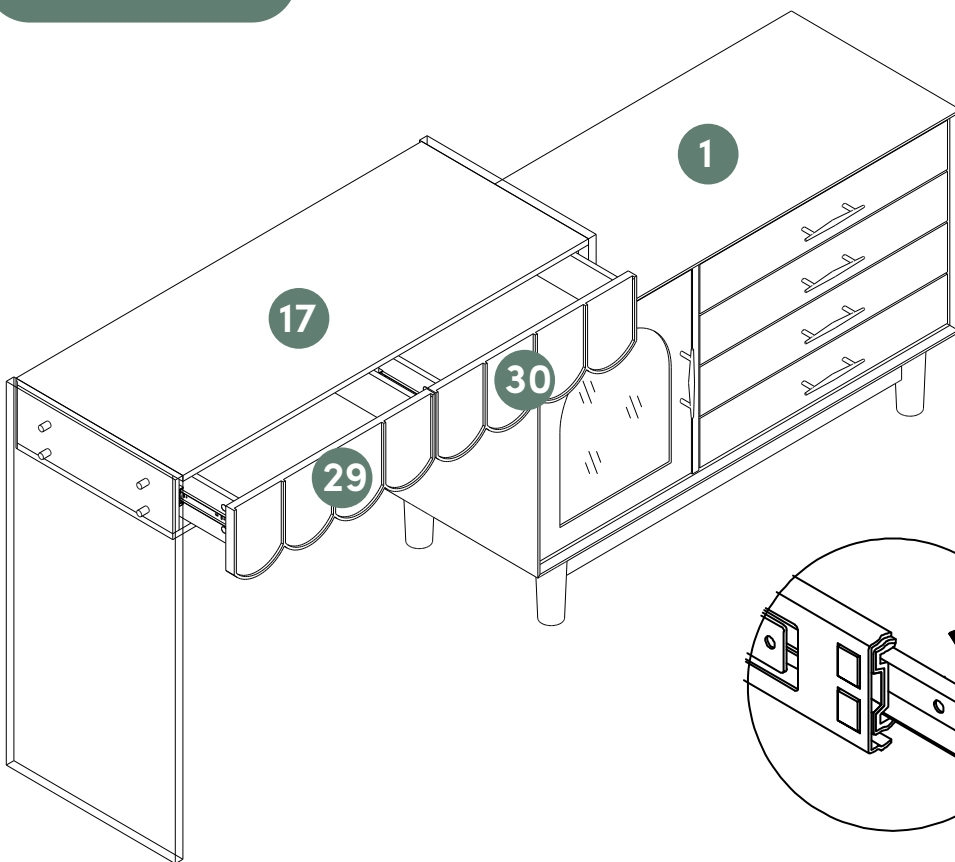


## ASSEMBLY STEPS

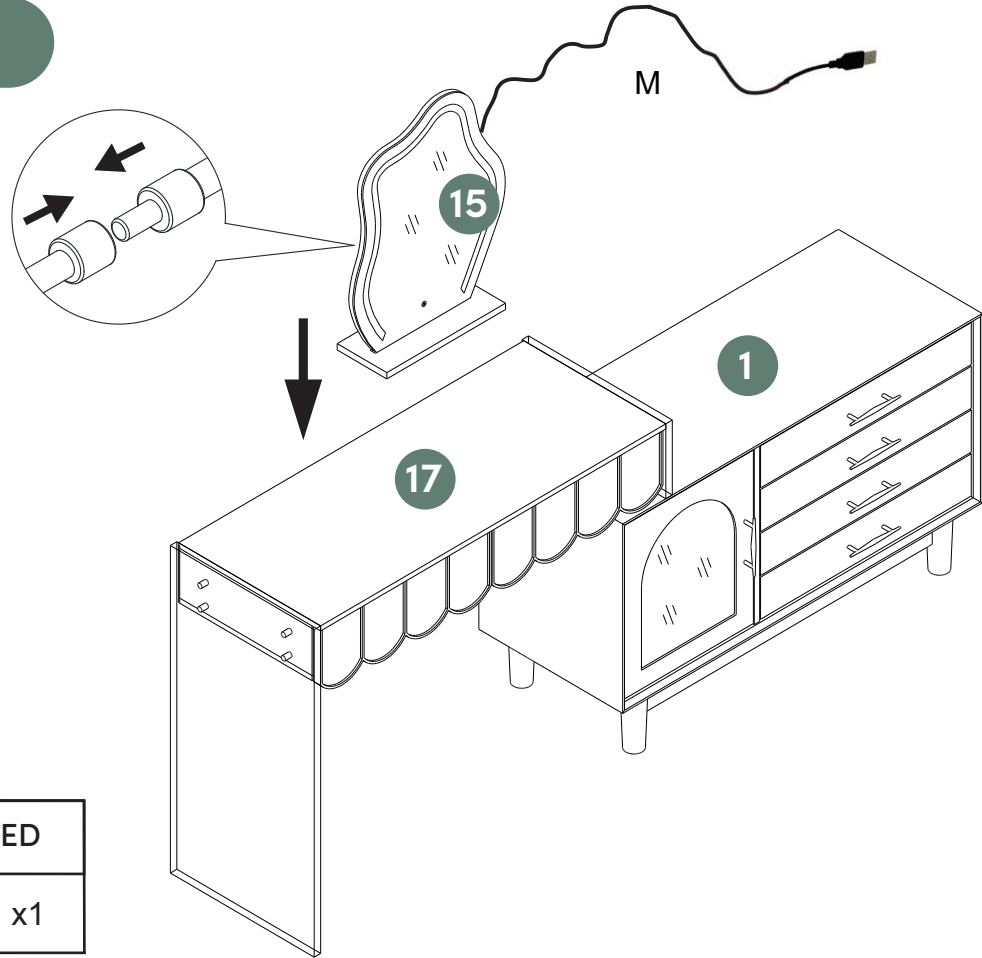
## STEP 29



## STEP 30




## STEP 31

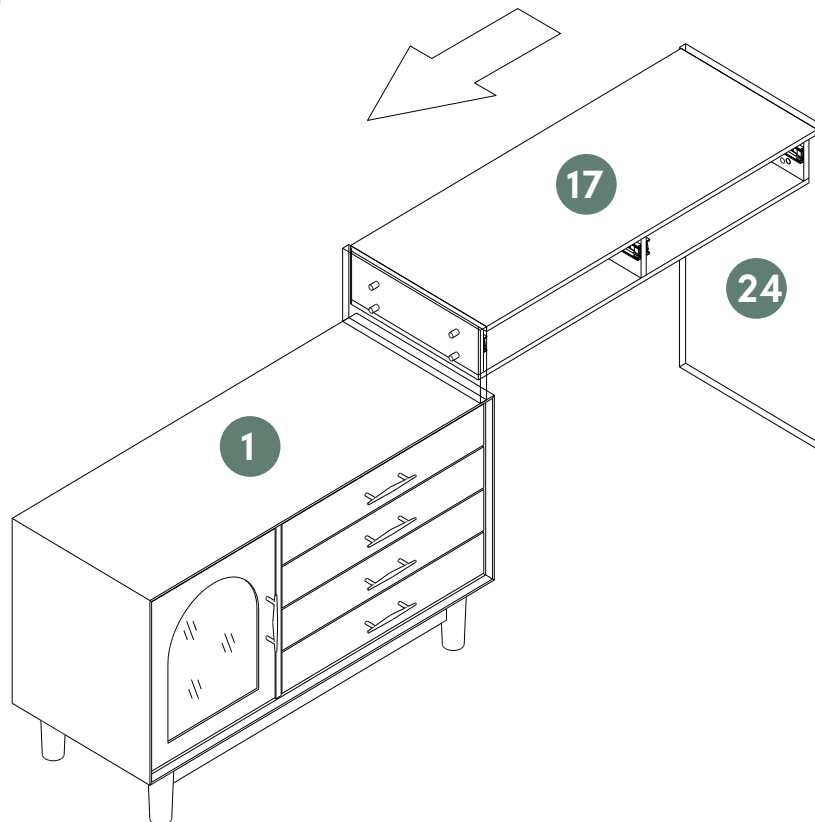


### YOU WILL NEED

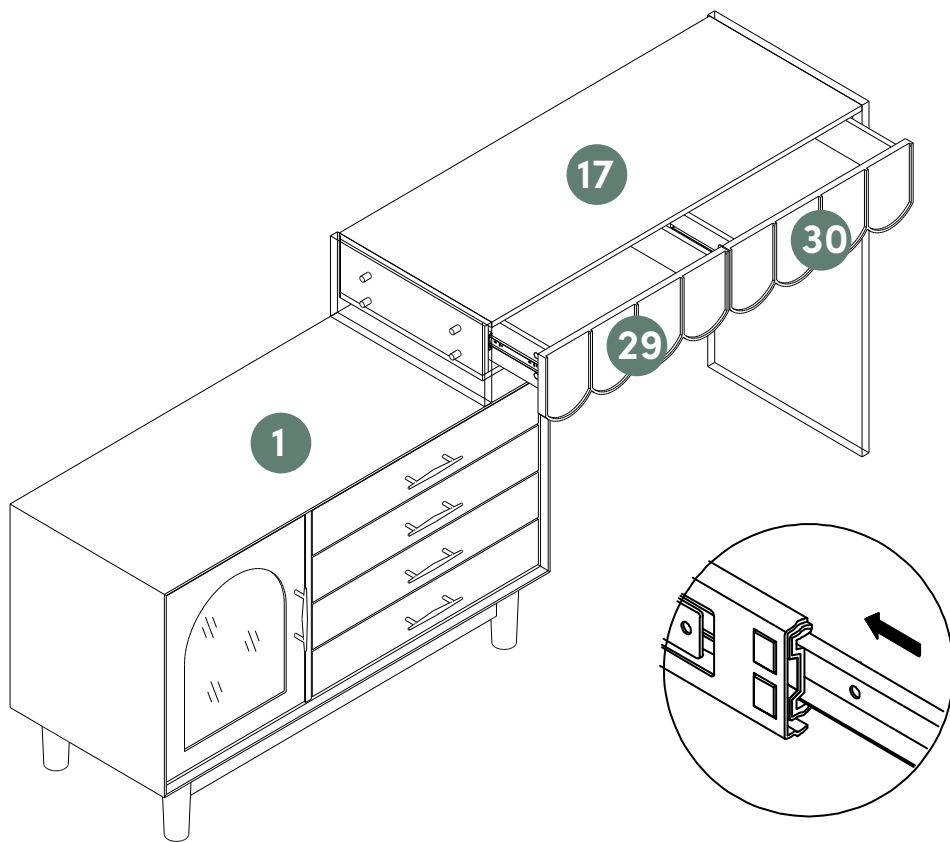
M

 x1

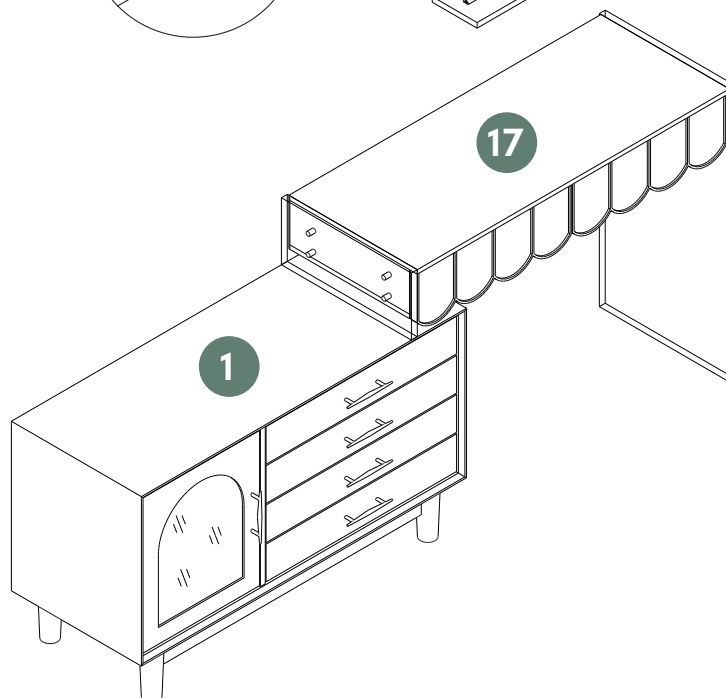
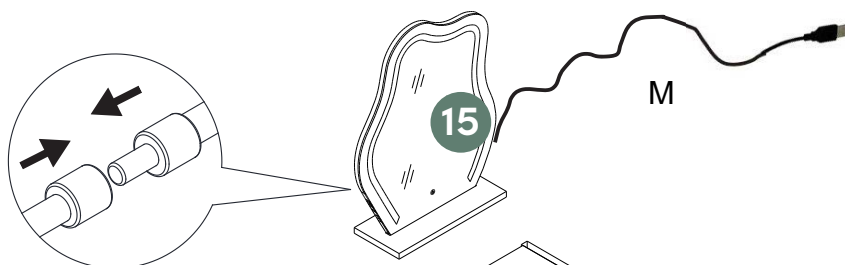
## STEP 32



### STEP 33

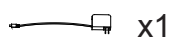


### STEP 34



#### YOU WILL NEED

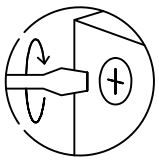
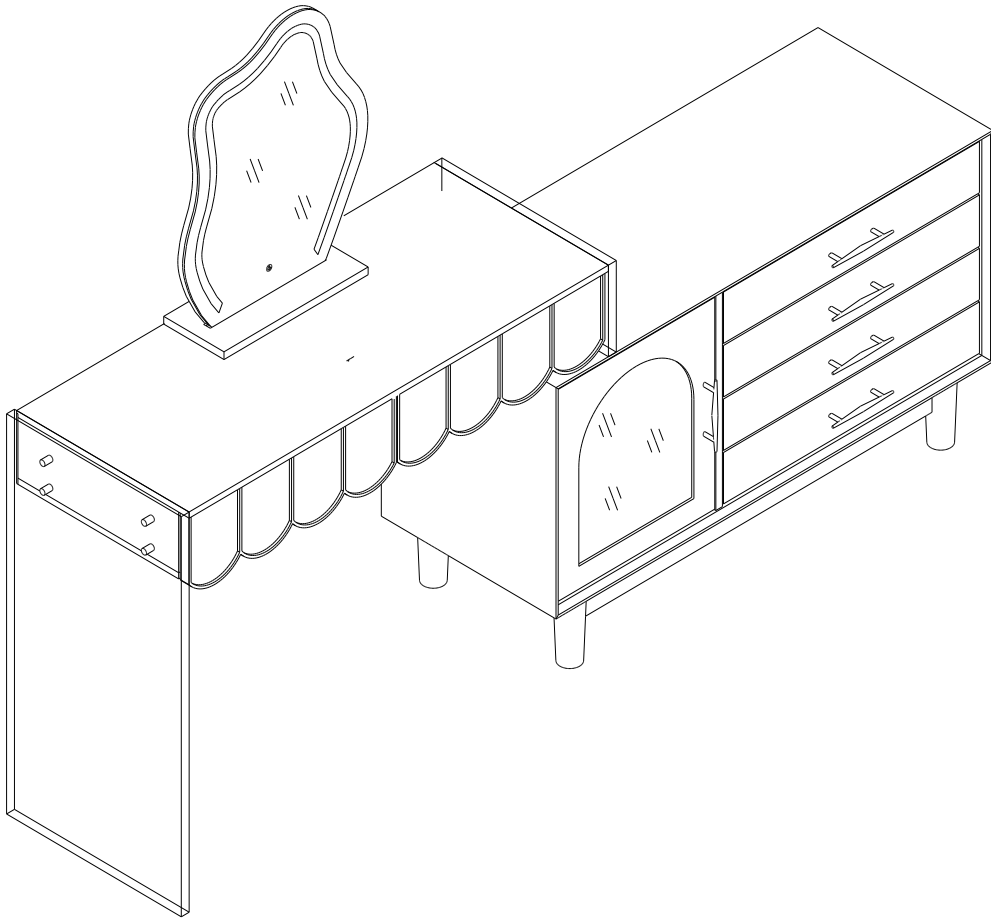
M



## ASSEMBLY STEPS

# GREAT JOB. YOU'RE DONE!

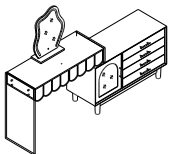
To move the assembled unit, please lift it up and do not drag to avoid breaking some parts and damaging the floor.



When assembling this Dressing Table, please ensure that all screws are tightened. After one or two months, please recheck and ensure that all screws are still tight.



Before using this Dressing Table, please check if the supports under the Dressing Table are in an upright position. Ensure that they are always in an upright position.

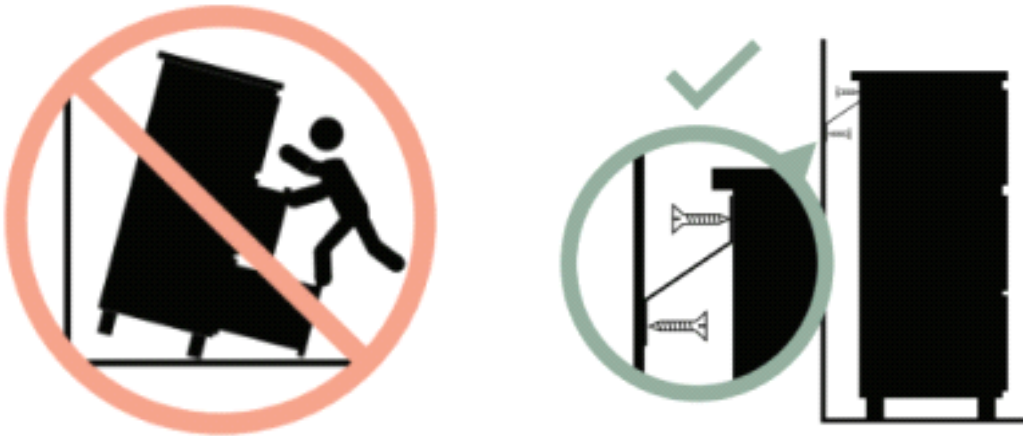


Our Dressing Table can hold weight of up to 45 kg. We don't suggest overloading it beyond its weight capacity.



## WARNING

Children have died from toppling furniture – toppling furniture can cause serious injuries and death.



- ALWAYS secure this furniture with an anchor device.
- NEVER allow children to stand, climb or hang on drawers, doors or shelves.
- NEVER open more than one drawer at a time.

To prevent your furniture from tipping forward, it is strongly recommended that you securely attach this product to a wall or another solid surface, using an anchoring device and appropriate fixings.

### IMPORTANT:

- Regularly check that anchors are securely maintained.
- We recommend that you use safety drawer locks (not supplied) to prevent children from climbing the furniture.
- Check whether the stability of tall items may be affected by thick pile carpet or uneven floors.
- Walls are constructed from different materials, for example, masonry (solid brick) or plasterboard lined cavity walls (hollow). It is important that you use the appropriate wall fixings for your wall type. Ensure to seek professional advice if you are unsure.

# CARE INSTRUCTION

Follow these basic steps to protect your furniture.

## Clean Gently

Use a soft, damp cloth and mild soap solution to wipe down surfaces regularly.

## Temperature and Humidity

Keep away from heat sources like stoves and heaters. Avoid direct sunlight and prolonged exposure to high humidity/water. Maintain a consistent room temperature and humidity level.

## Use Furniture Pads

Place furniture pads or felt protectors under the furniture to prevent scratches on floors.

## Avoid Excessive Weight

Don't overload the Dressing Table beyond its weight capacity.

***Again, we thank you for your purchase.  
You've made our day, and we hope you have a great one too!  
Enjoy your furniture!***

For any questions, please call us at 02 8999 1114 or contact our online customer service team through our website.

# LUXO|Furniture